



产品手册 2026  
Product Catalog 2026



广芯电子技术(上海)股份有限公司  
Broadchip Technology Group Co., Ltd.



**BROADCHIP**

## COMPANY INTRODUCTION 公司介绍

广芯电子技术(上海)股份有限公司是由海外高层次人才戴忠伟先生领导的创业团队于2007年底在上海创立，公司被认定为高新技术企业、上海市科技小巨人培育企业，并获得上海市“专精特新”企业称号、工信部专精特新“小巨人”企业称号。

广芯电子专注于高性能的模拟和混合信号集成电路芯片产品的设计、研发和销售，其产品广泛应用于手机、平板、可穿戴设备、安防、网通、教育、医疗、智能家居、家电等通用的消费电子产品以及通信、仪器仪表、工业控制等领域。

公司自成立以来，成功开发出十余系列，近千款型号产品，凭借产品的技术优势、创新功能、优异的性价比，以及公司良好的服务，广芯电子赢得了众多品牌客户的一致认可和信任。

广芯电子一贯注重产品的技术创新和产品的品质控制及重视客户需求，研发产品均有自主知识产权，目前公司已获发明专利、集成电路布图设计登记授权等一类知识产权五十多项。凭借在集成电路芯片领域十多年的产品研发经验积累和核心技术优势，广芯电子一直给客户 provide 稳定、可靠、高性价比的创新产品，同时我们为客户提供优质的技术服务和技术支持，广芯电子立志成为中国模拟集成电路芯片行业的领军企业。

**使命：**为客户提供最优质的模拟集成电路芯片产品和服务

**愿景：**中国模拟集成电路芯片设计的领军企业

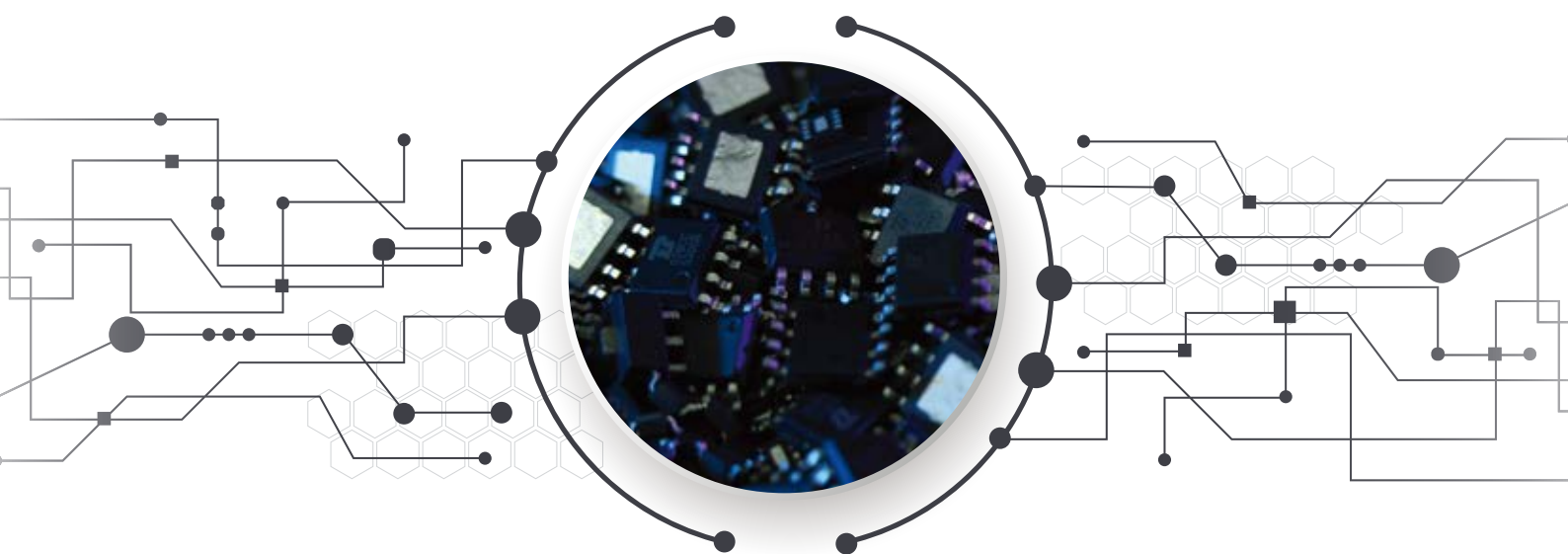
**企业价值观：**

客户第一：满意度和认可度

员工第二：自豪感和幸福感

股东第三：投资回报率

**企业行为准则：** 踏踏实实做事 实实在在做人



# THE CERTIFICATION 资质证书



## ABOUT BROADCHIP

### 认识广芯

· 2007年12月公司成立

· 多个项目被认定为上海市高新技术成果转化项目

· 通过高新技术企业认定

· 公司在全国中小企业股份转让系统成功挂牌

股票简称：广芯电子

股票代码：871366

· MIPI开关系列产品获得由ASPENCORE颁发的2019-2020年度“中国IC设计成就奖-年度最佳放大器/数据转换器”奖项

· 完成新三板挂牌后第一轮融资3296.30万元

· 荣获上海市“专精特新”中小企业称号  
· 荣获工信部专精特新“小巨人”企业称号

· 进入全国中小企业转让系统创新层

2007

· 获评《电子工程专辑》颁发“2010年中国IC设计公司成就奖-十大杰出技术支持中国IC设计公司”奖项

· 戴忠伟先生入选“上海市浦江人才计划”、荣获2009年度徐光启科技奖并入选中央“海外高层次人才”

· 通过ISO质量管理体系认证、ISO环境管理体系认证

2016

2017

· 上海市“科技创新行动计划”集成电路设计专项立项

2019

2020

· 荣获上海市科技小巨人培育企业认定

2021

· 年度总交付芯片数量超5.5亿颗

2022

· 年度总交付芯片数量超7亿颗  
· 完成新三板挂牌后第三轮融资8000万元

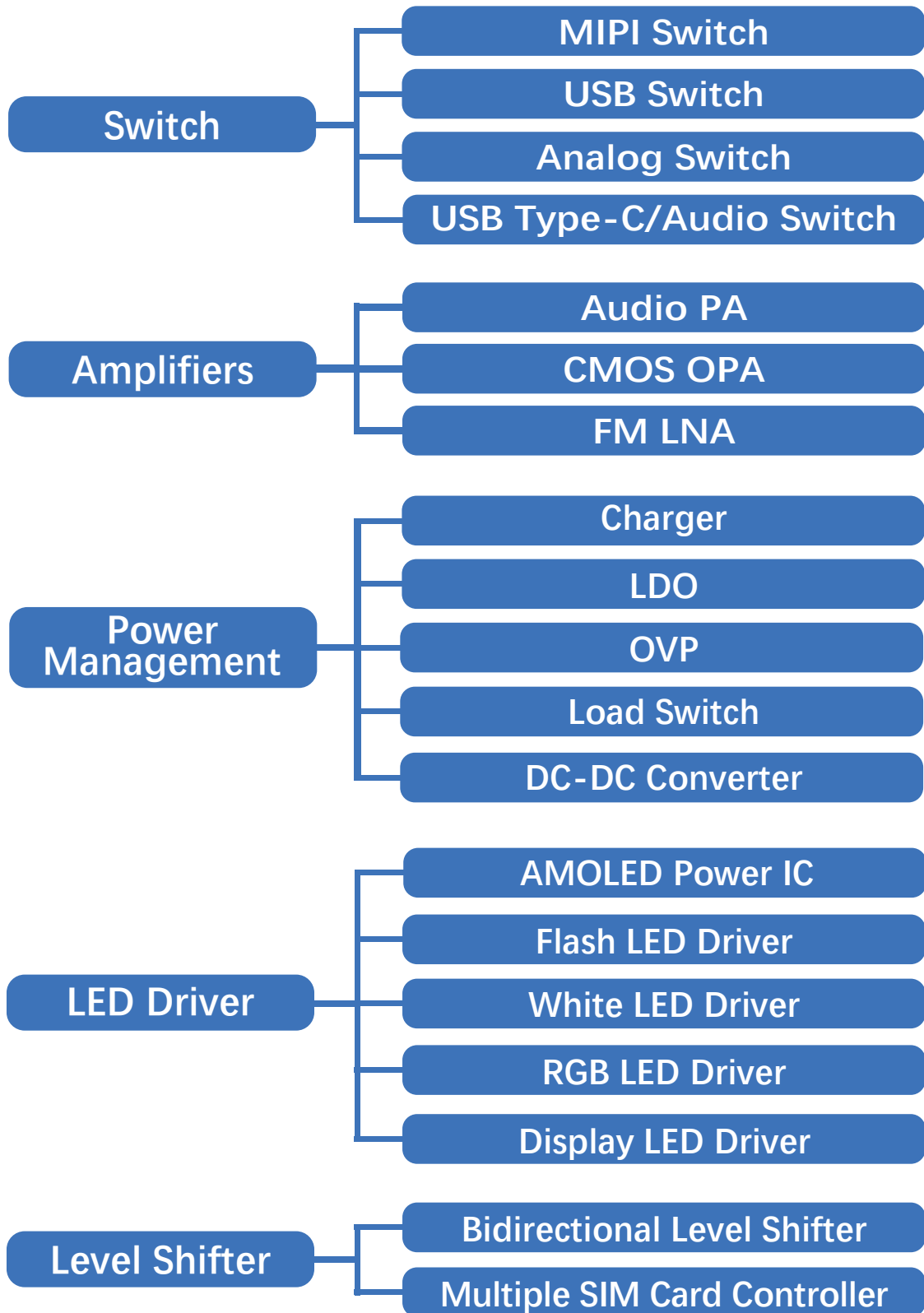
2023

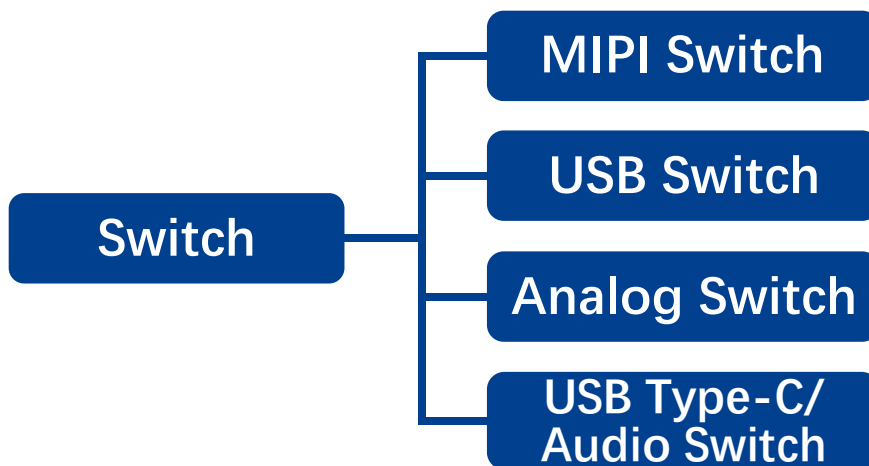
· 搬迁至上海闵行区莘庄镇维璟中心H幢17层

2025

· 荣获上海市科技小巨人企业认定

# Broadchip Product Line 产品线

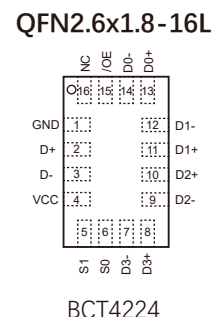
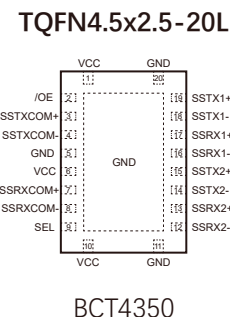
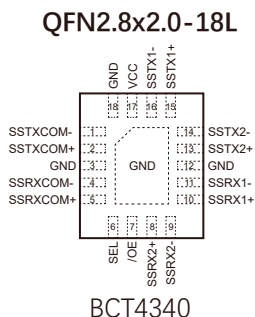
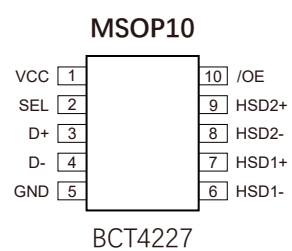
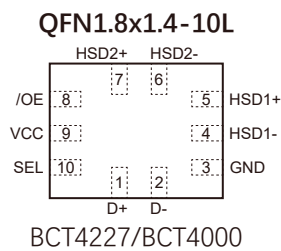
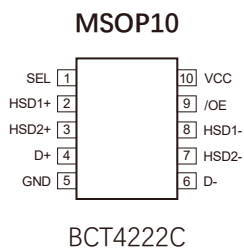
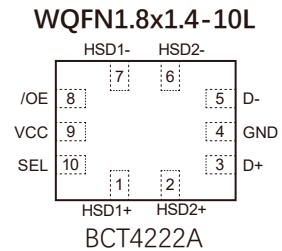
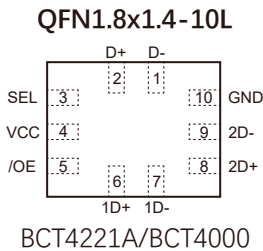
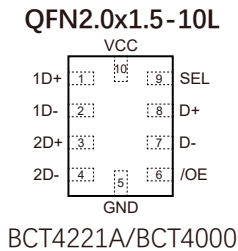






PART No.	Description	Configuration	V <sub>CC</sub> (V)	R <sub>ON</sub> (Ω)	Cross Talk (dB)	-3dB Bandwidth (MHz)	Package	Cross Reference
BCT4221A	High-Speed DPDT Analog Switch	DPDT(X1)	2.3-5.5	2	-45	1800	QFN1.8x1.4-10L QFN2.0x1.5-10L	TS3USB221 NX3DV221
BCT4222A	High-Speed DPDT Analog Switch	DPDT(X1)	1.65-4.5	7	-30	700	WQFN1.8x1.4-10L	TS3USB30E FSUSB30 NLAS7222 PI3USB10LP-A
BCT4222C	High-Speed DPDT Analog Switch	DPDT(X1)	1.65-4.5	7	-30	700	MSOP10	TS3USB30E FUSB30MUX
BCT4227	High-Speed DPDT Analog Switch	DPDT(X1)	1.65-4.5	7	-54	720	MSOP10 QFN1.8x1.4-10L	FSUSB42UMX
*BCT4000	High-Speed DPDT Analog Switch With OVP	DPDT(X1)	2.3-5.5	5.5	-90	1500	QFN2x2-18L QFN1.8x1.4-10L QFN2.0x1.5-10L	PI3USB4000A DIO5000
BCT4340	USB3.1 Super Speed 10 Gbps Switch	QPDT(X1)	1.5-5.0	5.4	-44	10000	QFN2.8x2.0-18L	FUSB340
BCT4350	USB3.1 Super Speed 10 Gbps Switch	QPDT(X1)	1.5-5.0	5.4	-44	10000	QFN2x2-18L TQFN4.5x2.5-20L	CBTL02043A PI3USB302 PI3PCIE3212
BCT4224	USB2.0 High-Speed Switch	DP4T	2.3-5.5	3	-43	1600	QFN2.6x1.8-16L	

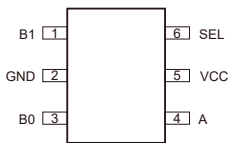
\* Please Contact Our Sales Office For More Details



# Analog Switch

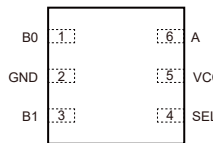
PART No.	Description	Configuration	V <sub>CC</sub> (V)	R <sub>ON</sub> (Ω)	Cross Talk (dB)	-3dB Bandwidth (MHz)	Package	Cross Reference
BCT4157	Low-Voltage, Analog Switch	SPDT(X1)	1.65-5.5	2.8	-54	300	SC70-6L SOT23-6 DFN1x1-6L TDFN1.1x0.9-6L	SN74LVC1G3157 TS5A3157/FSA3157 SGM3157/RS2057 BL1551/DIO3157
BCT4223	Low-Voltage, Analog Switch	SPDT(X2)	1.65-5.0	1.2	-103	100	QFN1.8x1.4-10L	TS3A5223 FSA2259UMX NLAS5223/PI3A223 SGM5223/SGM3718
BCT4684	Low-Voltage, Analog Switch	SPDT(X2)	1.8-5.5	0.4	-100	65	FO-10L	
BCT4699	Ultra Low ON-Resistance Low-Voltage, Analog Switch	DPDT(X2)	1.8-5.0	0.5	-86	100	TQFN3x3-16L UTQFN2.6x1.8-16L	TS3A44159 NLAS3699/PI3A412 SGM3699
BCT4899	Low-Voltage, Analog Switch	DPDT(X2)	1.8-5.5	5	-60	500	TQFN3x3-16L QFN2.5x2.5-16L UTQFN2.6x1.8-16L	FSA2466/MAX4699 NLAS3899B/PI3A3899 SGM44599
BCT4330	Low-Voltage, Analog Switch	QPDT(X1)	1.8-5.5	5	-60	500	SOP16 SSOP16 TSSOP16 QFN3x3-16L QFN3x3-20L	ADG774/774A G3204 FSAL200 FSAV330/430 SN74XX3257/STMAV340 SGM5018/330A

SC70-6L  
SOT23-6



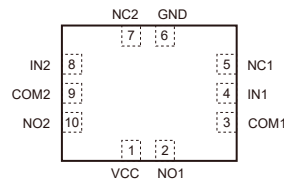
BCT4157

DFN1x1-6L  
TDFN1.1x0.9-6L



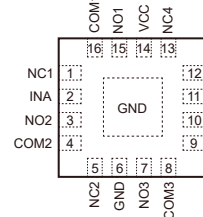
BCT4157

QFN1.8x1.4-10L



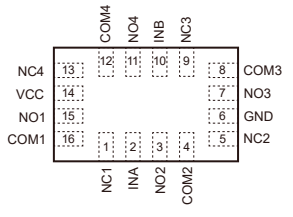
BCT4223

TQFN3x3-16L  
QFN2.5x2.5-16L



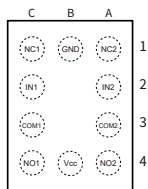
BCT4699/BCT4899

QFN2.6x1.8-16L  
UTQFN2.6x1.8-16L



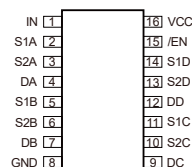
BCT4699/BCT4899

FO-10L



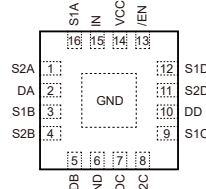
BCT4684

SOP16  
SSOP16/TSSOP16



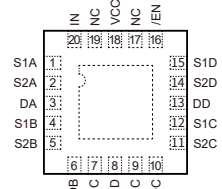
BCT4330

QFN3x3-16L



BCT4330

QFN3x3-20L

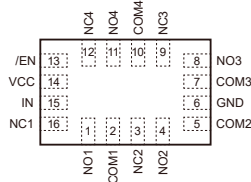


BCT4330

# Analog Switch

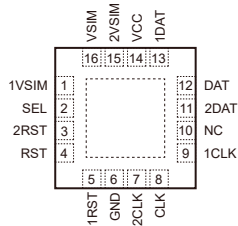
PART No.	Description	Configuration	V <sub>CC</sub> (V)	R <sub>ON</sub> (Ω)	Cross Talk (dB)	-3dB Bandwidth (MHz)	Package	Cross Reference
BCT44603	Low-Voltage, Analog Switch	QSPDT	1.8-5.5	5	-60	500	QFN2.6x1.8-16L	FSA2457 SGM44603
BCT4567A	Low-Power, Dual SIM Card Analog Switch	QPDT(X1)	1.65-5.0	0.3	-76	260	QFN2x2-18L TQFN3x3-16L UTQFN2.6x1.8-16L	FSA2567
BCT4717A	Dual-SPDT Analog Switch	SPDT(X2)	1.8-5.5	4	-99	300	FO-10L QFN1.8x1.4-10L	SGM4717
BCT48751	Low-Voltage, Analog Switch	SP8T(X1)	2.5-5.5	48		300	SOP16 SSOP16 TSSOP16 QFN3x3-16L	SN74HC4851 TMUX1308 SGM48751
BCT48752	Low-Voltage, Analog Switch	DPQT(X1)	2.5-5.5	48		300	SOP16 SSOP16 TSSOP16 QFN3x3-16L	SGM48752 SN74HC4052

QFN2.6x1.8-16L



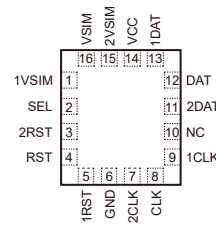
BCT44603

TQFN3x3-16L



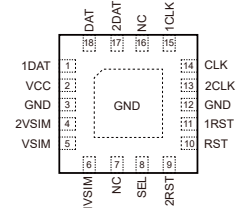
BCT4567A

QFN2.6x1.8-16L



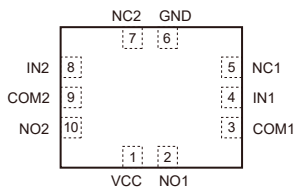
BCT4567A

QFN2X2-18L



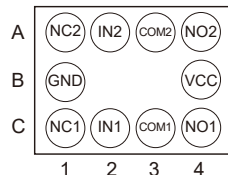
BCT4567A

QFN1.8x1.4-10L



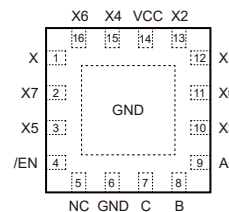
BCT4717A

FO-10L



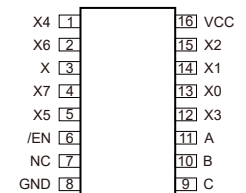
BCT4717A

QFN3x3-16L



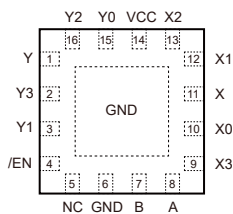
BCT48751

SOP16  
SSOP16/TSSOP16



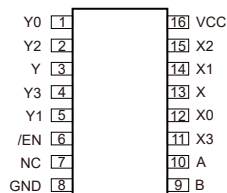
BCT48751

QFN3x3-16L



BCT48752

SOP16  
SSOP16/TSSOP16

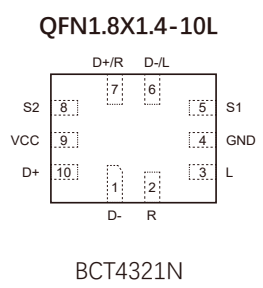
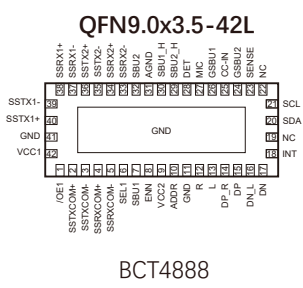
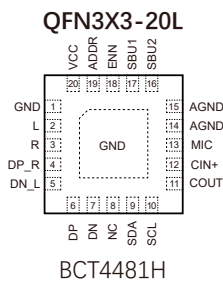
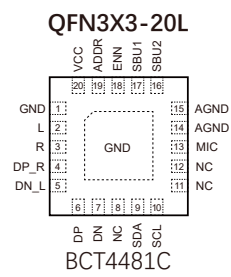
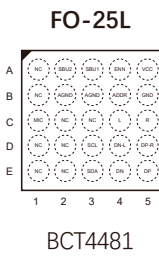
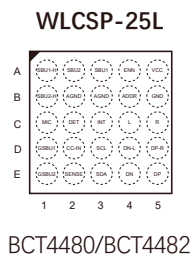


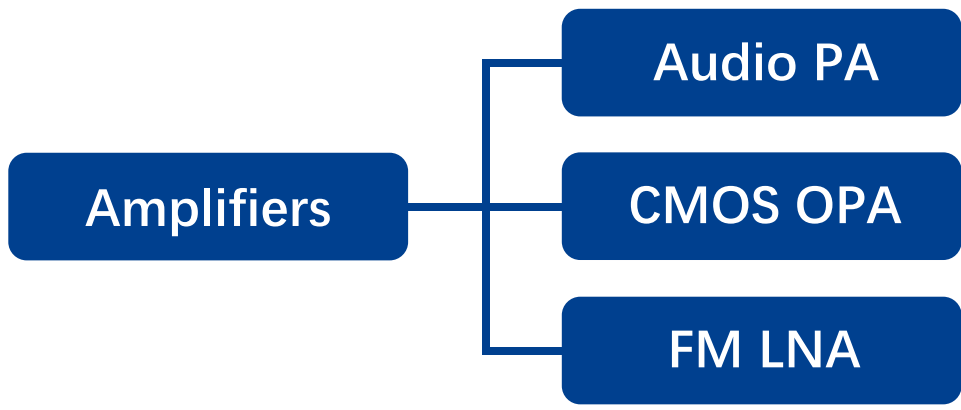
BCT48752

# USB Type-C/Audio Switch



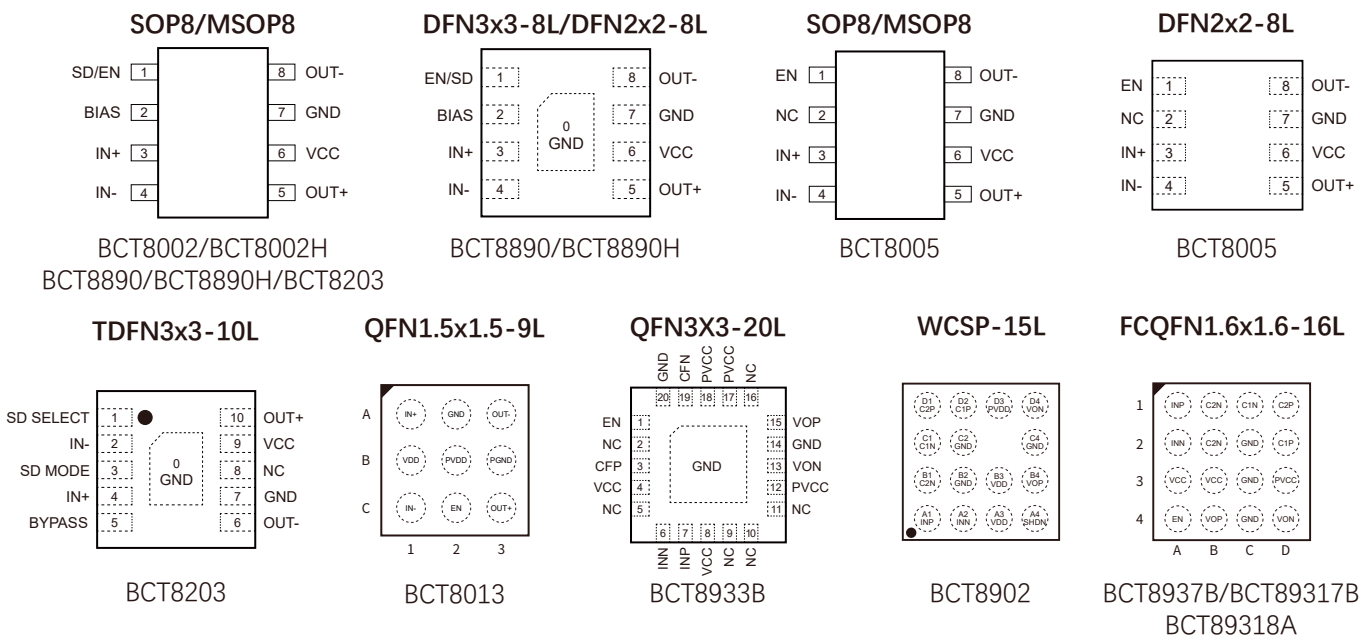
PART No.	Description	V <sub>CC</sub> (V)	Audio-R <sub>ON</sub> (Ω)	USB-R <sub>ON</sub> (Ω)	Analog Signal Range (V)	-3dB Bandwidth (MHz)	Package	Cross Reference
BCT4480	USB Type-C Analog Audio Switch with Protection Function	2.7-5.5	1.0	3.0	0 to 20	950	WLCSP-25L	FSA4480
BCT4480C	USB Type-C Analog Audio Switch with Protection Function	2.7-5.5	1.0	3.0	0 to 20	950	QFN4x4-32L	
BCT4481	USB Type-C Analog Audio Switch with Protection Function	2.7-5.5	1.0	3.0	0 to 20	950	FO-25L	
BCT4481H	USB Type-C Analog Audio Switch with Protection Function	2.7-5.5	1.0	3.0	0 to 20	950	QFN3x3-20L	
BCT4481C	USB Type-C Analog Audio Switch with Protection Function	2.7-5.5	1.0	3.0	0 to 20	950	QFN3x3-20L	
BCT4482	USB Type-C Analog Audio Switch with Protection Function	2.7-5.5	1.0	3.0	0 to 20	950	WLCSP-25L	
BCT4888	USB Type-C USB3.2/2.0 Analog Audio Switch with Audio Ground Detection	2.7-5.5	1.0	3.0	0 to 20	10GHz/950MHz	QFN9.0x3.5-42L	
BCT4321N	High-Speed and Audio Switches with Negative Signal Capability(-2V)	2.7-5.0	2.5	8.5	V <sub>CC</sub> -6.5 to V <sub>CC</sub> -2	720	QFN1.8x1.4-10L	FSA321





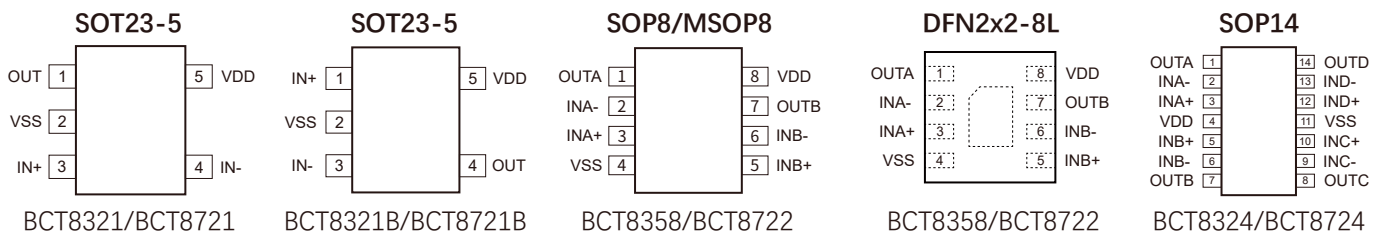
PART No.	Description	Class	Po- 8Ω (W)	V <sub>IN</sub> (V)	THD+N (%)	I <sub>SHDN</sub> (uA)	PSRR (dB)	Package	Cross Reference
BCT8002/H	Low-Cost, Mono 2.2W Audio Power Amplifier/ High Enable	AB	1.5	2.5-5.5	0.1	1	-64	SOP8	BD783XX/LY8898 IS31AP4991A/4996/APA3010 LM4871/4902 /4991 TPA301/321/701/721/741 SGM4871/TS4871/TS4890 NCS2111/SSM2211
BCT8890/H	Low-Cost, Mono 2.2W Audio Power Amplifier/ High Enable	AB	1.5	2.5-5.5	0.1	1	-64	MSOP8 DFN2x2-8L DFN3x3-8L	IS31AP4991/4991A/4996 APA3010/EMA2004 TPA301/321/701/721/741 TS4871/TS4890
* BCT8203	1.3W Full Differential Class AB Audio PA	AB	1.3	2.5-5.5	0.007	2	-85	MSOP8 TDFN3x3-10L	SGM4996/TPA6203A1
BCT8005	Low-Cost, Mono 2.8W Audio Power Amplifier	D	1.67	2.8-5.5	0.11	0.1	-80	SOP8 MSOP8 DFN2x2-8L	XX8005/PAM8303C RT9010/SSM2305 EMA2011/TPA2005
BCT8013	Low-Cost, Mono 2.8W Audio Power Amplifier	D	1.67	2.8-5.5	0.11	0.1	-80	QFN1.5x1.5-9L	AW8010/PAM8013
BCT8933B	Class T Audio Amplifier	T	2	2.5-5.5	0.03 0.06	0.1	-70	QFN3x3-20L	XX8733
BCT8937B	Class T Audio Amplifier	T	1.2	3.3-4.35	0.08	1	-68	FCQFN1.6x1.6-16L	XX8737S
BCT89317B	Class T Audio Amplifier	T	2.15	3.3-4.35	0.08	1	-68	FCQFN1.6x1.6-16L	XX87317
BCT89318A	Class T Audio Amplifier	T	2.15	3.3-4.35	0.08	1	-68	FCQFN1.6x1.6-16L	XX87318
* BCT8902	Low-Cost, Mono 2.8W Audio Power Amplifier	T	2.8	3-4.2	0.009	0.1	-86	WLCSP-15L	
* BCT8905	Mono 5W Audio Power Amplifier	T	5	3-4.2	0.009	1	-86	ESOP16	

\* Please Contact Our Sales Office For More Details



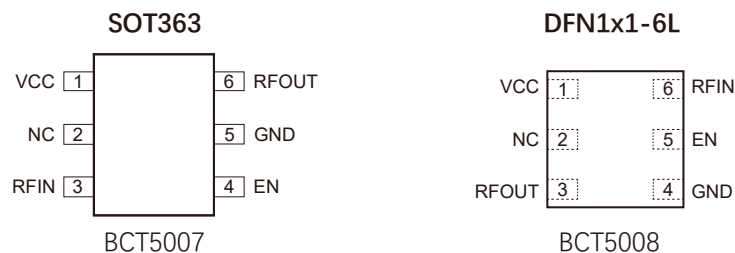
# CMOS OPA

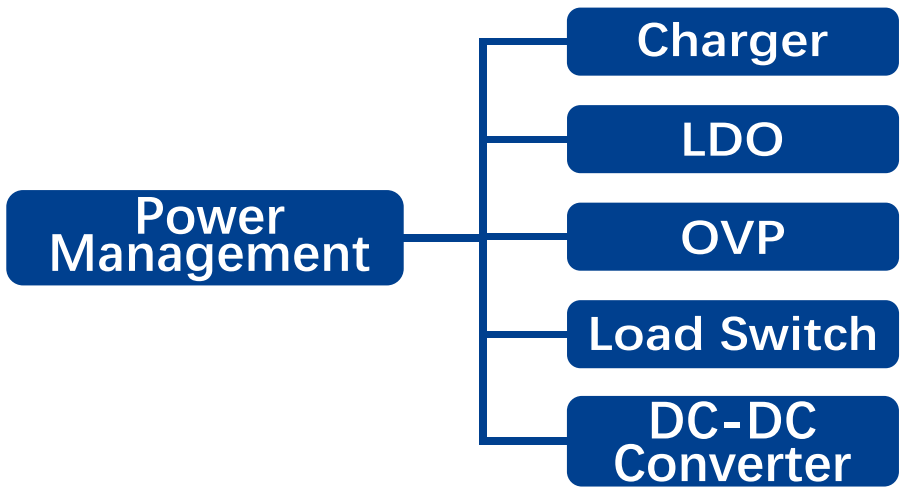
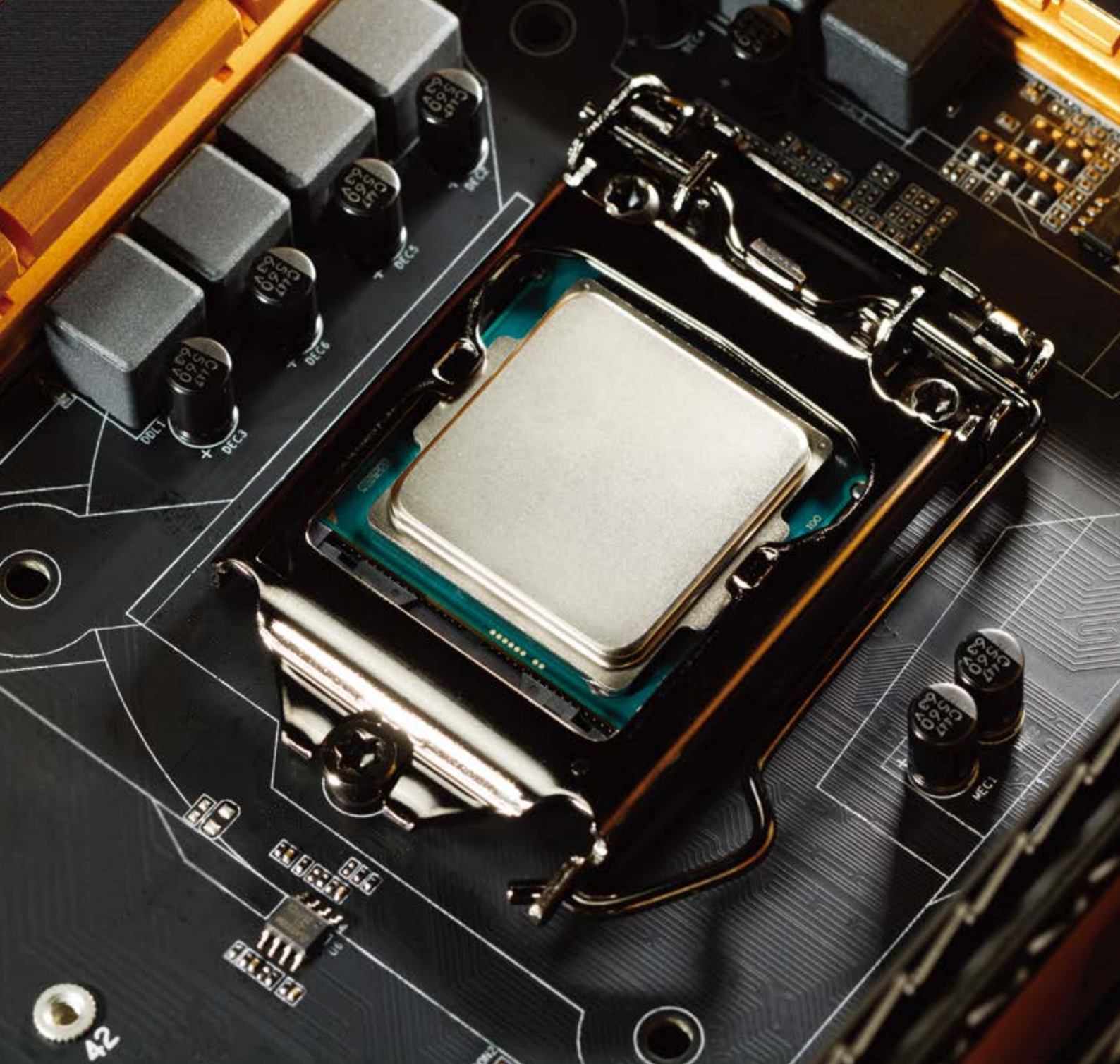
PART No.	Description	V <sub>IN</sub> Range (V)	I <sub>Q</sub> /Channel (mA)	V <sub>OS</sub> (mV)	PSRR (dB)	Gain Bandwidth (MHz)	Slew Rate (V/μs)	Package	Cross Reference
BCT8321	1 Channel RRIO 1MHz, CMOS Amplifier	2.1-5.5	0.12	±0.8	80	1	0.65	SOT23-5	LMV321A MCP6001 SGM321B
BCT8321B	1 Channel RRIO 1MHz, CMOS Amplifier	2.1-5.5	0.12	±0.8	80	1	0.65	SOT23-5	LMV321 MCP6L01U SGM321
BCT8358	2 Channel RRIO 1MHz, CMOS Amplifier	2.1-5.5	0.06	±0.8	80	1	0.65	SOP8 DFN2x2-8L	LMV358 LMV6002 LM2904LV MCP6002 SGM358
BCT8324	4 Channel RRIO 1MHz, CMOS Amplifier	2.1-5.5	0.06	±0.8	80	1	0.65	SOP14	LMV324 LMV6004 LM2902LV MCP6004 SGM324
BCT8721	1 Channel RRIO 15MHz, CMOS Amplifier	2.1-5.5	2.2	±0.85	85	15	9	SOT23-5	LMV721 TLV9061 TLV316 MCP6291 SGM721
BCT8721B	1 Channel RRIO 15MHz, CMOS Amplifier	2.1-5.5	2.2	±0.85	85	15	9	SOT23-5	TLV9061 TLV316
BCT8722	2 Channel RRIO 15MHz, CMOS Amplifier	2.1-5.5	1.1	±0.85	85	15	9	SOP8 DNF2x2-8L	LMV722 MCP6292 SGM722
BCT8724	4 Channel RRIO 15MHz, CMOS Amplifier	2.1-5.5	1.1	±0.85	85	15	9	SOP14	LMV724 MCP6294 SGM724



# FM LNA

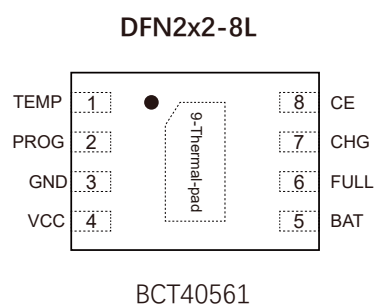
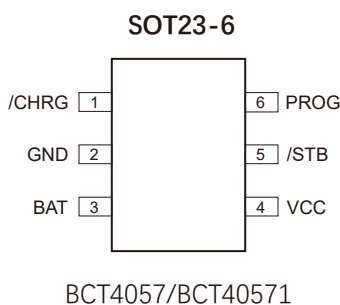
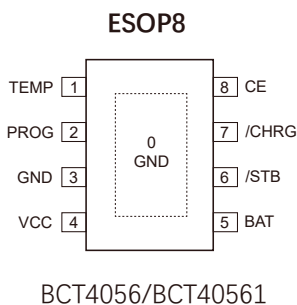
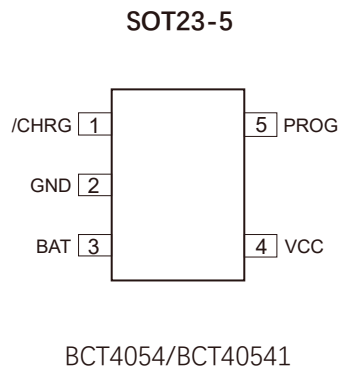
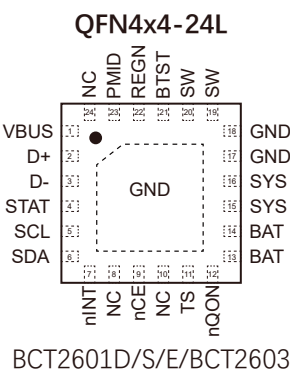
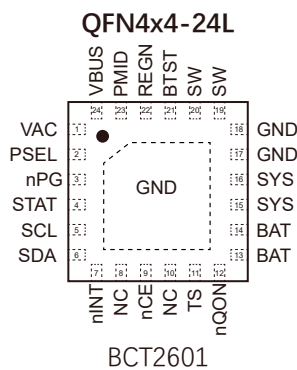
PART No.	Description	V <sub>CC</sub> Range (V)	I <sub>Q</sub> (mA)	Power Gain (dB)	Noise Figure (dB)	Input Return Loss (dB)	Reverse Isolation (dB)	Output Return Loss (dB)	Package	Cross Reference
BCT5007	FM Low Noise Amplifier	2.6-3.6	9.2	21	1.2	-3.7	-39.8	-20.5	SOT363	XX5007
BCT5008	FM Low Noise Amplifier	2.6-3.6	9.2	21	1.2	-3.7	-39.8	-20.5	DFN1x1-6L	AW5037





PART No.	Description	Maximum Charge Current (A)	End of Charge Current	V <sub>BUS</sub> (V)	V <sub>BUS_MAX</sub> (V)	Charge Voltage Range (V)	Package	Cross Reference
BCT2601	3A Single-Cell Li-Ion Switching Charger with USB-OTG Boost Regulator	3	C/50	3.9-13.5	20	3.86-4.62	QFN4x4-24L	BQ25601
*BCT2601D	3A Single-Cell Li-Ion Switching Charger with USB-OTG Boost Regulator and BC1.2 available	3	C/50	3.9-13.5	20	3.86-4.62	QFN4x4-24L	BQ25601D
*BCT2601S	3A Single-Cell Li-Ion Switching Charger with OTG/BC1.2 and Supports ultra-low power wake-up and solar charging	3	C/50	3.9-13.5	20	3.86-4.62	QFN4x4-24L	
*BCT2601E	3A Single-Cell Li-Ion Switching Charger with OTG/BC1.2 and The VBAT pin can withstand higher surge levels	3	C/50	3.9-13.5	20	3.86-4.62	QFN4x4-24L	
*BCT2603	3A Single-Cell Li-Ion Switching Charger with USB-OTG Boost Regulator and BC1.2 available	3.78	C/50	3.9-13.5	20	3.86-4.62	QFN4x4-24L	
BCT4056	1.0A Li-Ion Linear Charger Management	1.0	C/10	4.0-6.5	6.5	4.2-4.35	ESOP8	XXX4056
BCT4054	0.7A Li-Ion Linear Charger Management	0.7	C/10	4.0-6.5	6.5	4.2-4.35	SOT23-5	XXX4054
BCT4057	0.7A Li-Ion Linear Charger Management	0.7	C/10	4.0-6.5	6.5	4.2-4.35	SOT23-6	XXX4057
*BCT40561 /541/571	1.0/0.7A Li-Ion Linear Charger Management	1.0/0.7	C/10	4.0-28	28	4.2-4.35	ESOP8 DFN2x2-8L SOT23-5 SOT23-6	XXX40561

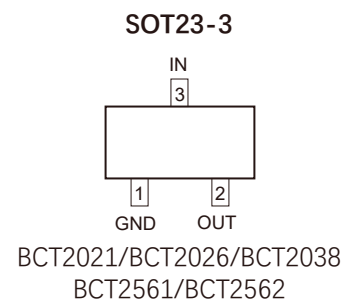
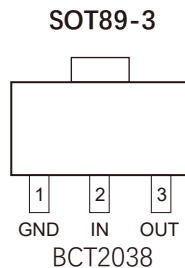
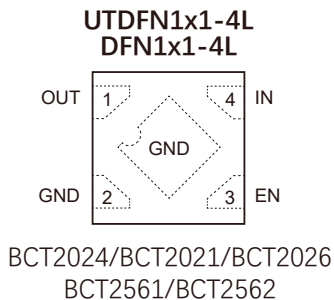
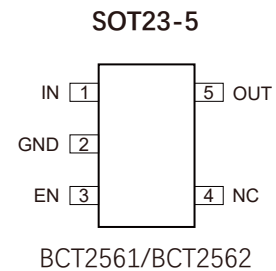
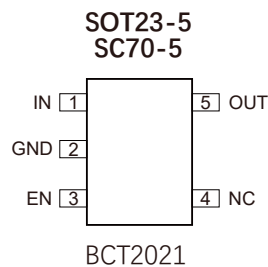
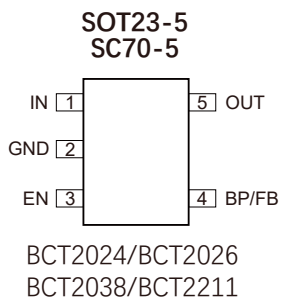
\* Please Contact Our Sales Office For More Details



## LDO (Low Voltage)

PART No.	Description	V <sub>IN</sub> Range (V)	V <sub>OUT</sub> Range (V)	I <sub>Q</sub> (uA)	I <sub>OUT</sub> (mA)	Current Limit (mA)	PSRR (dB@1KHz)	Package	Cross Reference
*BCT2024	300mA Low IQ Low Dropout Regulators	1.6-5.5	1.2 1.8 2.8 3.0 3.3 (0.8-5.0)ADJ	20	300	560	70	SC70-5 SOT23-5 UTDFN1x1-4L	SGM2036
BCT2021	300mA Low IQ Low Dropout Regulators	1.6-6.0	1.0 1.2 1.8 2.5 2.8 3.0 3.3	35	300	500	70	SC70-5 SOT23-3 SOT23-5 UTDFN1x1-4L	SGM2036 ETA5053
*BCT2026	70dB 300mA Dual LDO Linear Regulators	1.6-6.0	1.6 1.8 2.8 3.0 6.0	70	300	500	70	SC70-5 SOT23-3 SOT23-5 UTDFN1x1-4L	TLV703 SGM2036
BCT2038	500mA Low IQ Low Dropout Regulators	1.6-5.5	1.2 1.8 2.8 3.0 3.3 (0.8-5.0)ADJ	20	500	800	75	SC70-5 SOT23-3 SOT23-5 SOT89-3	TLV755P ME6211
BCT2211	500mA Low IQ Low Dropout Regulators	1.6-5.5	1.2 1.8 2.8 3.0 3.3 (0.8-5.0)ADJ	20	500	800	70	SC70-5 SOT23-5	TLV755P
BCT2561	2uA IQ, Low Dropout Regulators	1.6-5.5	0.75 0.8 1.05 1.2 1.3 1.5 1.8 1.85 2.5 2.8 3.0 3.3	2	300	550	70	SOT23-3 SOT23-5 UTDFN1x1-4L	XC6233 RP110L RT9073 TPS7A05
BCT2562	2uA IQ, Low Dropout Regulators	1.6-5.5	0.8 0.9 1.2 1.3 1.5 1.8 1.85 2.5 2.8 3.0 3.3	2	600	1000	70	SOT23-3 SOT23-5 UTDFN1x1-4L	XC6233 RP110L RT9073 TPS7A05

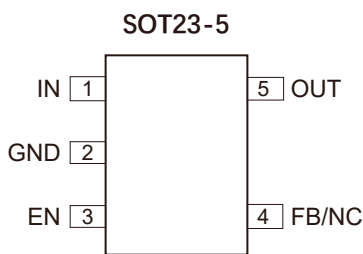
\* Please Contact Our Sales Office For More Details



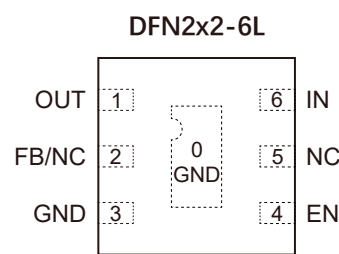
# LDO (Low Voltage)

PART No.	Description	V <sub>IN</sub> Range (V)	V <sub>OUT</sub> Range (V)	I <sub>Q</sub> (uA)	I <sub>OUT</sub> (mA)	Current Limit (mA)	PSRR (dB@1KHz)	Package	Cross Reference
BCT2057	1000mA Low Dropout Regulators	1.6-5.5	0.8 0.9 1.0 1.05 1.1 1.2 1.3 1.35 1.5 1.8 2.2 2.5 2.8 3.0 3.3 3.6 (0.8-5.0)ADJ	30	1000	1800	60	SOT23-5 DFN2x2-6L	TLV757 XC6227
BCT2910	Ultra Low Noise and High PSRR LDO Regulators	1.8-5.5	1.2 1.5 1.8 2.5 2.8 3.0 3.3 4.2 5.0	14	300	530	94	WLCSP-4L	LP5910
BCT2160	Ultra Low Noise and High PSRR LDO Regulators	1.8-5.5	1.2 1.5 1.8 2.5 2.8 3.0 3.3 4.2 5.0	14	300	530	94	SOT23-5 DFNFC1x1-4L	NCP160 TPS7A20 LP5907 SGM2033
BCT2186	1000mA Ultra Low Dropout Regulators	1.8-5.5	0.8 0.9 1.0 1.05 1.1 1.2 1.3 1.35 1.5 1.8 2.2 2.5 2.8 3.0 3.3 3.6 (0.8-5.0)	30	1000	1400	75	DFN1.6x1.2-8L	NCP186 RP115
BCT2186L	1000mA Ultra Low Dropout Regulators	1.6-5.5	(0.6-5.0)ADJ	30	1000	1400	75	DFN2x2-6L	
*BCT2157	1000mA Ultra Low Dropout Regulators	1.6-5.5	1.8 2.5 3.3 (0.8-5.0)ADJ	33	1000	1400	70	DFN2x2-6L	

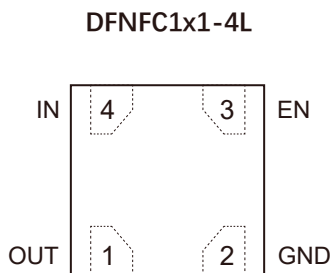
\* Please Contact Our Sales Office For More Details



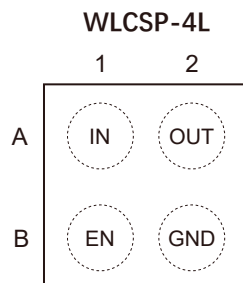
BCT2057/BCT2160



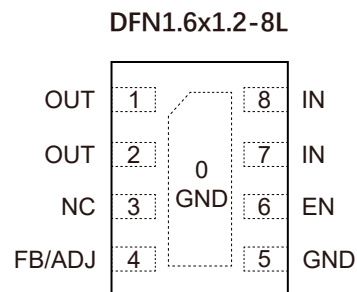
BCT2057/BCT2186L/BCT2157



BCT2160



BCT2910

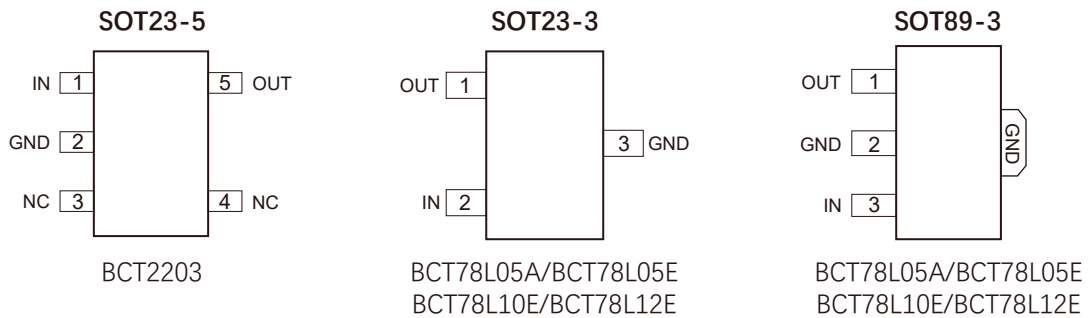
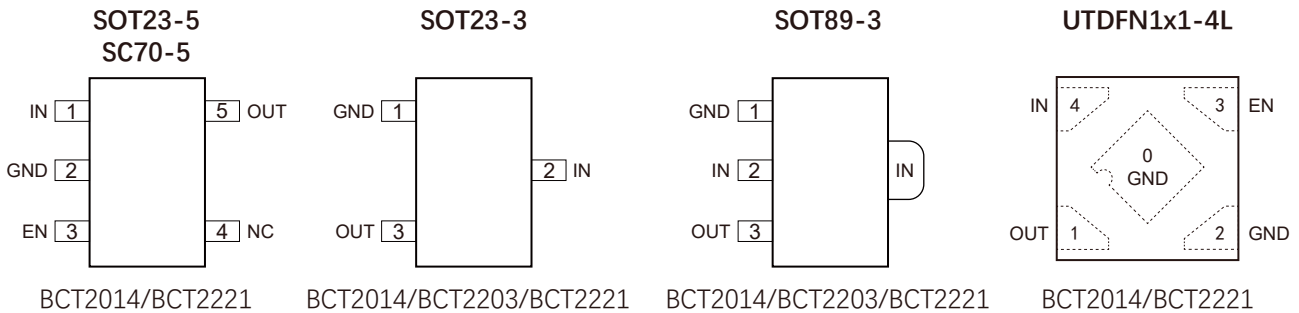


BCT2186

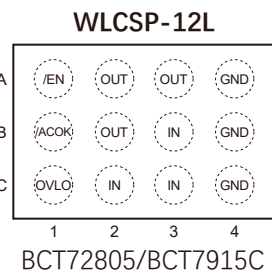
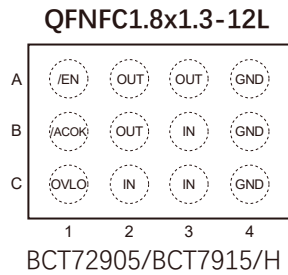
# LDO (High Voltage)

PART No.	Description	V <sub>IN</sub> Range (V)	V <sub>OUT</sub> Range (V)	I <sub>Q</sub> (uA)	I <sub>OUT</sub> (mA)	Current Limit (mA)	PSRR (dB@1KHz)	Dropout(3.3V) (mV)	Package	Cross Reference
BCT2014	0.7uA IQ Low Dropout Regulators	2.5-15	1.5 1.8 2.5 2.8 3.0 3.3 3.6 4.2 4.5 5.0	0.7	300	500	40	320	SC70-5 SOT23-3 SOT23-5 SOT89-3 UTDFN1X1-4L	XC6233 RP110L RT9073
* BCT2221	2.5uA IQ Low Dropout Regulators	2.5-16	3.3 ADJ	2.5	300	500	70	320	SOT23-3 SOT23-5 SOT89-3 UTDFN1X1-4L	
BCT2203	2.5uA IQ High Voltage Regulators	2.7-36	1.5 1.8 3.0 3.3 4.2 4.5 5.0 8.0 9.0 10.0 12.0	2.5	150	230	40	1300	SOT23-3 SOT23-5 SOT89-3	TLV704 TPS709 SGM2203
BCT78L05A	0.7uA IQ Low Dropout Regulators	5.5-15	5	0.7	300	500	40	320	SOT23-3 SOT89-3	78L05
BCT78L05E	3uA IQ High Voltage Regulators	2.7-36	5	3	150	500	40	1300	SOT23-3 SOT89-3	78L05
*BCT78L10E	3uA IQ Low Dropout Regulators	2.7-36	10	3	150	500	40	1300	SOT23-3 SOT89-3	
*BCT78L12E	3uA IQ High Voltage Regulators	2.7-36	12	3	150	500	40	1300	SOT23-3 SOT89-3	

\* Please Contact Our Sales Office For More Details



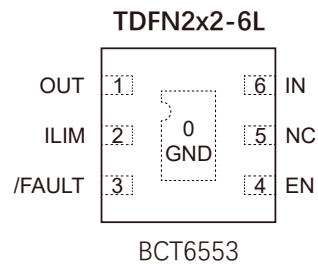
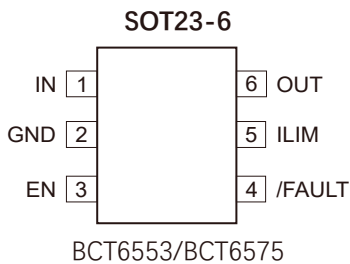
PART No.	Description	R <sub>DS(on)</sub> (mΩ)	Continuous Current (A)	Peak current (A)	V <sub>IN_OVLO</sub> (V)	OVP Adjustable Range (V)	V <sub>IN_MAX</sub> (V)	Surge Protection (V)	Package	Cross Reference
BCT72905	Over-Voltage Protection Load Switch	30.7	4.5	7	6.8	4-20	29	110	QFNFC1.8x1.3-12L	MAX14654 MAX14717 SGM40654 SGM40657
BCT72805	Over-Voltage Protection Load Switch	20	5	8	6.8	4-20	29	120	WLCSP-12L	MAX14654 MAX14717 SGM40654 SGM40657
BCT7915	Over-Voltage Protection Load Switch	30.7	4.5	7	6.8	4-20	29	110	QFNFC1.8x1.3-12L	MAX14655 SGM40655 SGM40658
BCT7915H	Over-Voltage Protection Load Switch	30.7	4.5	7	6.8	4-20	29	100	QFNFC1.8x1.3-12L	MAX14655 SGM40655 SGM40658
BCT7915C	Over-Voltage Protection Load Switch	30.7	4.5	7	6.8	4-20	29	100	WLCSP-12L	



## Load Switch

PART No.	Description	V <sub>CC</sub> (V)	I <sub>Q</sub> (μA)	R <sub>ON</sub> (mΩ)	I <sub>LIM</sub> (A)	Over-Current Response (μS)	Quick Auto-Discharge	Response FAULT	Package	Cross Reference
BCT6553	Power Distribution Switch	2.5-5.5	62	90	1.7	2	YES	YES	SOT23-6 TDFN2x2-6L	TPS2551 TPS2552 TPS2553 TPS25221 SGM2553
*BCT6575	Power Distribution Switch	2.5-5.5	62	90	2	2	YES	YES	SOT23-6 WLCSP-4B	SGM2575

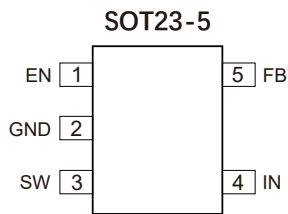
\* Please Contact Our Sales Office For More Details



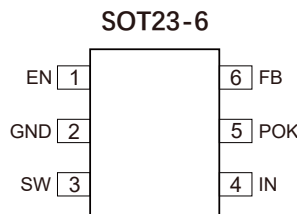
# DC-DC Converter

PART No.	Description	Control	V <sub>IN</sub> Range (V)	V <sub>OUT</sub> Range (V)	Efficiency (%)	I <sub>OUT</sub> (A)	I <sub>Q</sub> (uA)	Switch Frequency (KHz)	Package	Cross Reference
BCT1721	6.0V 1A Buck Converter	ACOT	2.7-6.0	0.6-3.4	95	1	33	1000	SOT23-5 SOT23-6 DFN1.6x1.6-6L	RT8096C
BCT1722/B	6.0V 2A Buck Converter	ACOT	2.7-6.0	0.6-3.4	95	2	33	1000	SOT23-5 SOT23-6 DFN1.6x1.6-6L	RT8097C
BCT1810	5V 1A Buck Converter	PWM	2.5-5.5	0.6-5	95	1	40	1500	SOT23-5 DFN1.6x1.6-6L	RT8059 NCP1529
BCT1812	5V 1.2A Buck Converter	PWM	2.5-5.5	0.6-5	95	1.2	40	1500	SOT23-5	SGM6012 SGM6018
BCT1814	5V 2A Buck Converter	PWM	2.7-5.5	0.6-5	95	2	55	1000	SOT23-5	SY8089 AX3702
BCT12569A/B	5V 2A Buck Converter	ACOT	2.7-5.5	0.6-5	95	2	55	1000	SOT563	TLV62569 MP1605
*BCT1470	18V 2A Buck Converter	ACOT	4.5-18	0.768-6.5	94	2	380	600	SOT23-6	TPS563240 MP1470
BCT1473	18V 3A Buck Converter	ACOT	4.5-18	0.768-6.5	94	3	380	600	FCSOT23-6	TPS563201
BCT1477	18V 3A Buck Converter	ACOT	4.5-18	0.768-6.5	94	3	380	600	FCSOT563	MP1477 MP1660
BCT1451	42V 0.6A Buck Converter	PWM	5-42	0.8-24	95	0.6	14	1200	SOT23-6	SGM61410 MP2457 MP2460
*BCT1452	42V 1A Buck Converter	PWM	5-42	0.8-24	95	1	14	1200	SOT23-6	JW5101

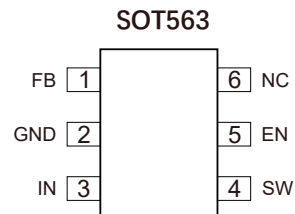
\* Please Contact Our Sales Office For More Details



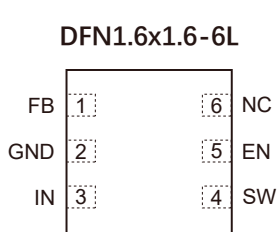
BCT1031/BCT1721/BCT1722/B  
BCT1810/BCT1812/BCT1814



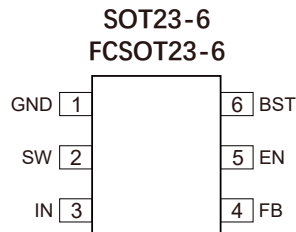
BCT1721/BCT1722/B



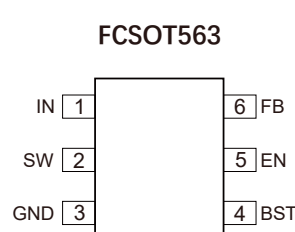
BCT12569A/B



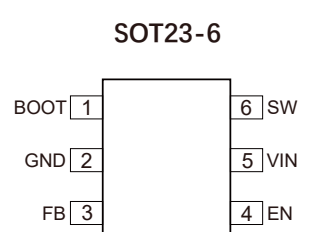
BCT1721/BCT1722/B/BCT1810



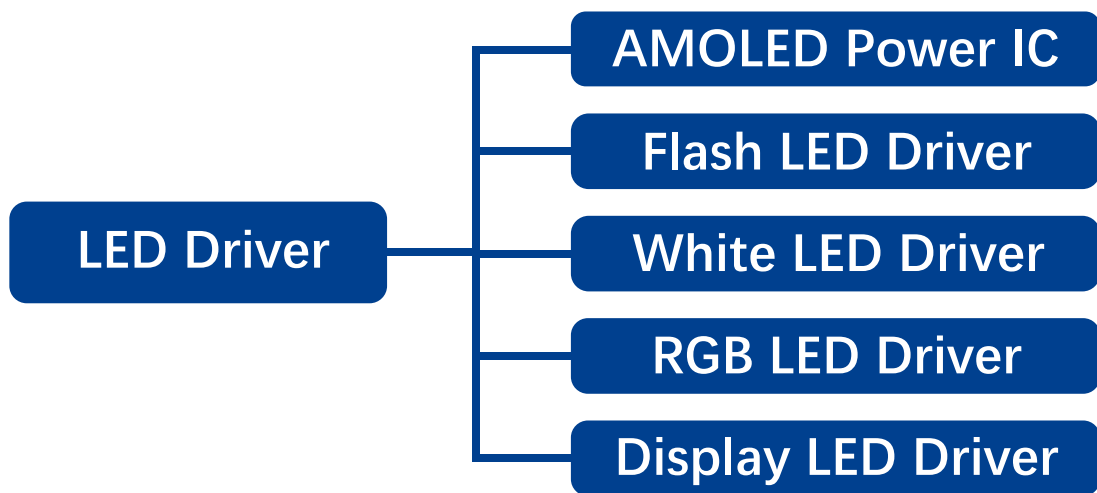
BCT1470/BCT1473



BCT1477



BCT1451/1452



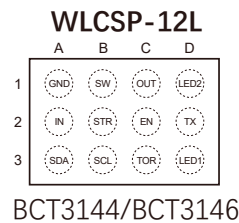
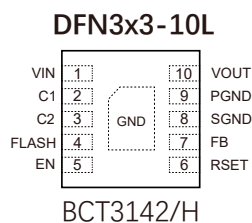
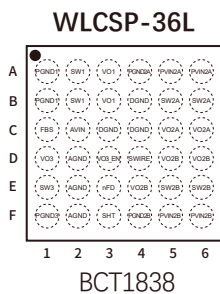
## AMOLED Power IC

PART No.	Description	Output Channel	V <sub>CC</sub> (V)	EL Output Current Max (mA)	AV Output Current Max (mA)	Outputs	Control Interface	Package	Cross Reference
*BCT1838	Triple-output for smart phones and PADS	3	2.5-4.8	1000	150	AVDD:5.5v~7.9v ELVDD:4.6v~5.0v ELVSS:-0.8v~-6.0v	1-wire	WLCSP-36L	

## Flash LED Driver

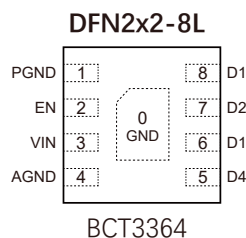
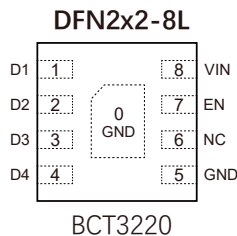
PART No.	Description	V <sub>IN</sub> (V)	I <sub>Q</sub> (mA)	I <sub>OUT-Flash</sub> Mode (mA)	I <sub>OUT-Torch</sub> Mode (mA)	V <sub>OUT</sub> Turn-on Time (µs)	Freq (MHz)	Mode	Efficiency	Package	Cross Reference
*BCT3142/H	1.1A Buck/Boost Charge Pump LED Driver	2.7-5.5	0.4	1100	400	400	1.9	1X/2X	92%	DFN3x3-10L	AW3641E
BCT3144	1.5A x2 Output Flash LED Driver	2.7-5.5	0.6	1500	748	-	2	FLASH TORCH	85%	WLCSP-12L	LM3644 OCP81373
BCT3146	2.0A x2 Output Flash LED Driver	2.7-5.5	0.6	2000	1000	-	2	FLASH TORCH	85%	WLCSP-12L	LM3644 OCP81375

\* Please Contact Our Sales Office For More Details



## White LED Driver (Parallel)

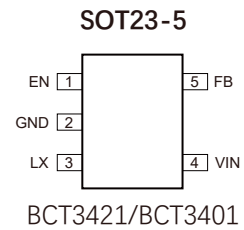
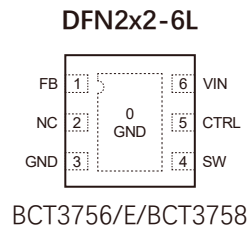
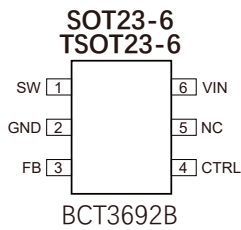
PART No.	Description	LED connection	V <sub>CC</sub> (V)	V <sub>drop</sub> (20mA) (mV)	MAX LED Current/CH (mA)	Bright Level	Current Matching	Package	Cross Reference
BCT3220	4 Channel 8 Steps LED Driver	Common-Anode	2.7-5.5	55	20	8	1.50%	DFN2x2-8L	
BCT3364	4 Channel 16 Steps LED Driver	Common-Anode	2.7-5.5	50	20	16	1.50%	DFN2x2-8L	XX9364



# White LED Driver

PART No.	Description	Topology	LED Connection	CH	V <sub>CC</sub> (V)	V <sub>REF</sub> (mV)	I <sub>LIM</sub> (mA)	Switching Frequency (KHz)	V <sub>OVP</sub> (V)	Package	Cross Reference
BCT3692B	High Performance, Asynchronous Boost for 10 WLED Driver	BOOST	PWM	1	2.7-5.5	200	1500	1100	38	SOT23-6 TSOT23-6	AP3019A RT4533 RT4526 SGM3752
BCT3756/E	WLED Driver with PWM Brightness Control in Small Package	BOOST	PWM	1	2.7-5.5	200	1500	1100	38	DFN2x2-6L	TPS61161A TPS61165 RT4503A SGM3756
BCT3758	WLED Driver with PWM Brightness Control in Small Package	BOOST	PWM	1	2.7-5.5	200	2000	1100	38	DFN2x2-6L	XX9967 XX9968
*BCT3421	LED Driver	BUCK	PWM/PFM	1	3.0-5.5	100	1700	1350	6.9	SOT23-5	TMI5101 ETA3421
BCT3401	Backlight Driver	BUCK	PWM/PFM	1	2.5-5.5	100	1800	1100		SOT23-5	LN2401

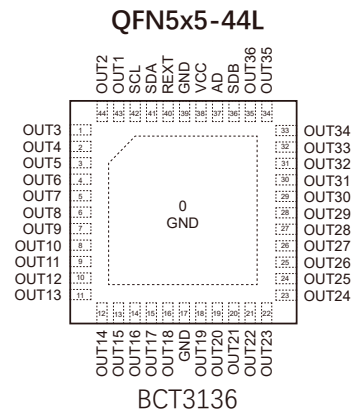
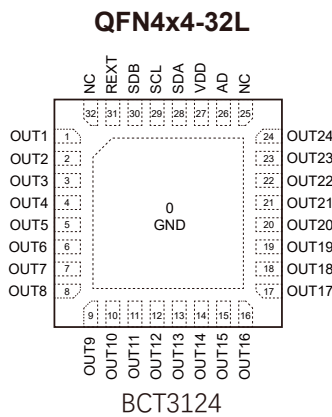
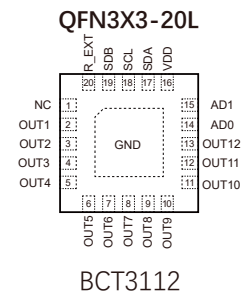
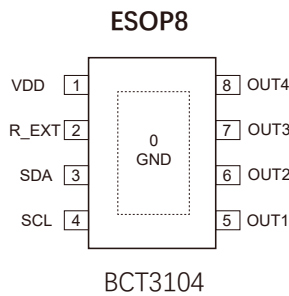
\* Please Contact Our Sales Office For More Details



## RGB LED Driver

PART No.	Description	Channels	MAX LED Current/CH (mA)	MAX Output Current Setting	Bright level	Vcc (V)	Control	Current match	Package	Cross Reference
<b>HOT!</b> * BCT3104	4ch 256x256 steps CC LED Driver	4	38	R_EXT	256x256	2.7-5.5	I2C	-	ESOP8	
<b>HOT!</b> * BCT3112	12ch 256x256 steps CC LED Driver	12	38	R_EXT	256x256	2.7-5.5	I2C	-	QFN3X3-20L	XX21012 LP5012
<b>HOT!</b> * BCT3124	24ch 256x256 steps CC LED Driver	24	38	R_EXT	256x256	2.7-5.5	I2C	-	QFN4X4-32L	XX21024 LP5024
<b>HOT!</b> * BCT3136	36ch 256x256 steps CC LED Driver	36	38	R_EXT	256x256	2.7-5.5	I2C	-	QFN5X5-44L	XX21036 LP5036

\* Please Contact Our Sales Office For More Details



## Display LED Driver

PART No.	Description (SEG x GRID)	MAX Operating Temp. (°C)	Dots	MAX LED Current/CH (mA)	Bright level	Vcc (V)	Control	Current match	Package	Cross Reference
* BCT3620	8x6 Dots LED Driver	85	48	50	8	2.7-5.5	SPI	±5%	SOP20	XXX1620
* BCT3620B	6x7 Dots LED Driver +6x1 keys	85	42	50	8	2.7-5.5	SPI	±5%	SOP20	XXX1620B

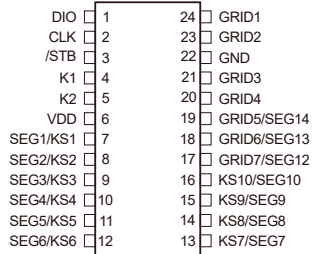
\* Please Contact Our Sales Office For More Details

# Display LED Driver

PART No.	Description (SEG x GRID)	MAX Operating Temp. (°C)	Dots	MAX LED Current/CH (mA)	Bright level	V <sub>CC</sub> (V)	Control	Current Match	Package	Cross Reference
<b>HOT!</b> BCT3668/RE	10x7 Dots LED Driver +10x2 keys	85	70	50	8	3.0-5.5	SPI	±5%	SOP24 SSOP24-0.635	XXX1668
<b>HOT!</b> BCT1668/T	10x7 Dots LED Driver +10x2 keys	85/105🔥	70	50	8	3.0-5.5	SPI	±5%	SOP24 SSOP24-0.635	XXX1668
<b>HOT!</b> BCT3628/RE	10x7 Dots LED Driver +10x2 keys	85	70	50	8	3.0-5.5	SPI	±5%	SOP28	XXX1628
<b>HOT!</b> BCT1628/T	10x7 Dots LED Driver +10x2 keys	85/105🔥	70	50	8	3.0-5.5	SPI	±5%	SOP28	XXX1628

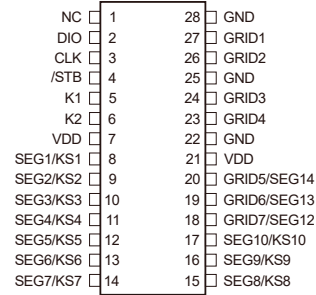
\* R: pull up resistor;T:105°C

## SOP24 SSOP24-0.635



BCT3668/RE  
BCT1668/T

## SOP28

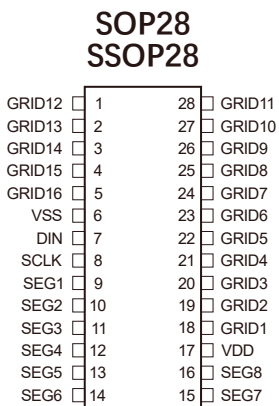
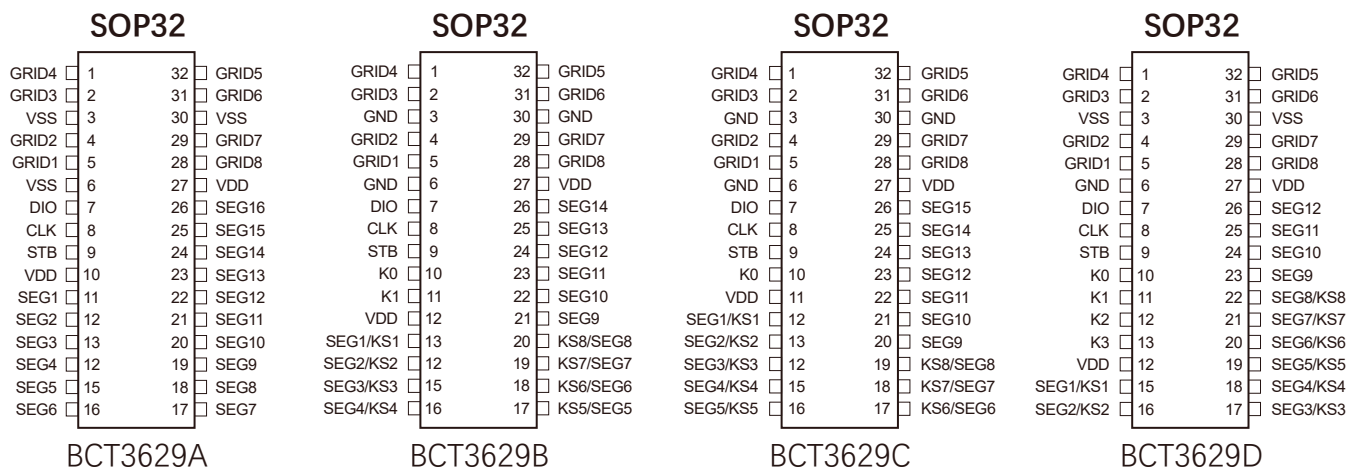


BCT3628/RE  
BCT1628/T

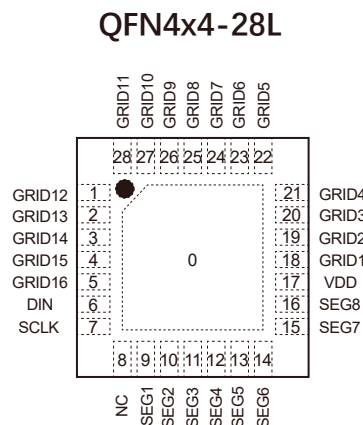
# Display LED Driver

PART No.	Description (SEG x GRID)	MAX Operating Temp. (°C)	Dots	MAX LED Current/CH (mA)	Bright level	Vcc (V)	Control	Current match	Package	Cross Reference
*BCT3640/N	8x16 Dots LED Driver	85	128	50	8	3.0-5.5	SPI	-	SOP28 SSOP28 QFN4x4-28L	XXX1640
<b>HOT!</b> BCT1640/T	8x16 Dots LED Driver	85/105 <sup>🔥</sup>	128	50	8	3.0-5.5	SPI	-	SOP28 SSOP28	XXX1640
*BCT3629A	16x8 Dots LED Driver	85	128	50	8	3.0-5.5	SPI	±5%	SOP32	XXX1629A
*BCT3629B	14x8 Dots LED Driver +8x2 keys	85	112	50	8	3.0-5.5	SPI	±5%	SOP32	XXX1629B
*BCT3629C	15x8 Dots LED Driver +8x1 keys	85	120	50	8	3.0-5.5	SPI	±5%	SOP32	XXX1629C
*BCT3629D	12x8 Dots LED Driver +8x4 keys	85	96	50	8	3.0-5.5	SPI	±5%	SOP32	XXX1629D

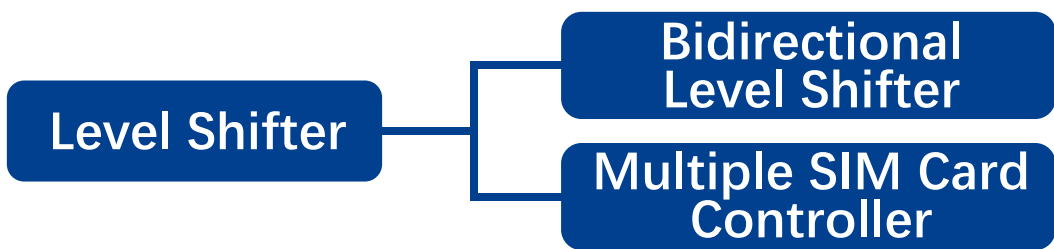
\* Please Contact Our Sales Office For More Details;"N" stands for "low-noise"



BCT3640/N  
BCT1640/T



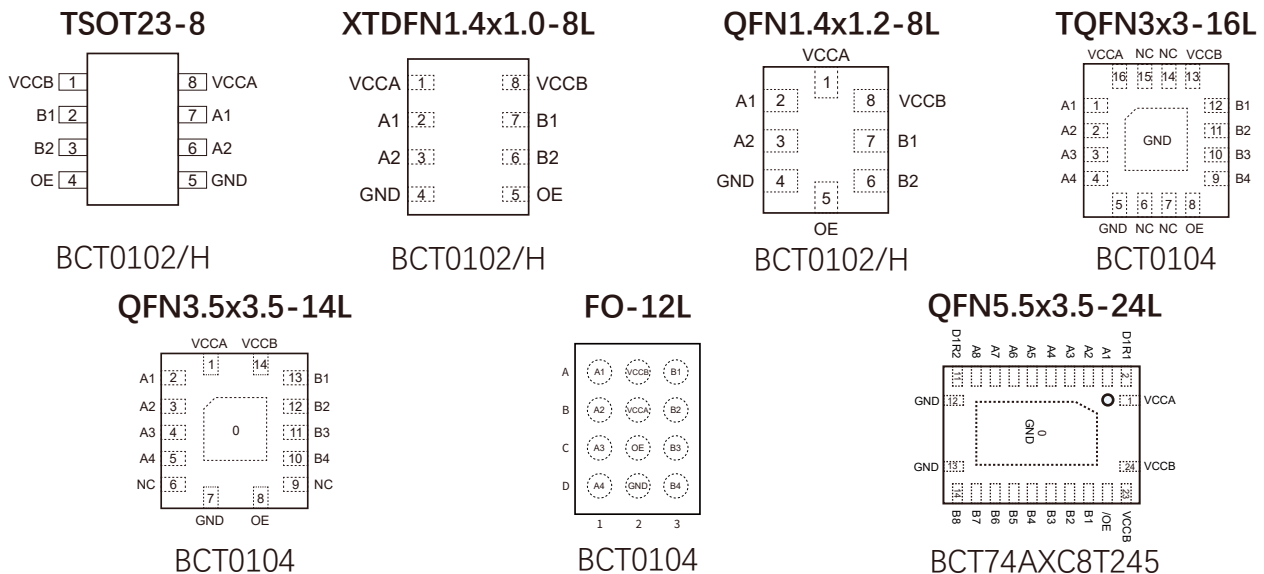
BCT3640/N



## Bidirectional Level Shifter

PART No.	Description	Vref_A(Min) (V)	Vref_B(Min) (V)	I <sub>Q</sub> (uA)	I <sub>o</sub> /Continuous Current (mA)	Max Data (Mbps) Rate	No. of Bits	Package	Cross Reference
BCT0102	2Bit Bidirectional Level-Shifting	1.65	2.3	7.1	±50	24	2	TSOT23-8 QFN1.4x1.2-8L XTDFN1.4x1.0-8L	TXS0102 SGM4556
*BCT0102H	2Bit Bidirectional Level-Shifting	1.1 1.65	2.3	7.1	±50	24	2	TSOT23-8 QFN1.4x1.2-8L XTDFN1.4x1.0-8L	
BCT0104	4Bit Bidirectional Level-Shifting	1.65	2.3	7.1	±50	24	4	FO-12L TQFN3x3-16L QFN3.5x3.5-14L	TXS0104E FXMAR2104
*BCT74AX C8T245	8Bit Bidirectional Level-Shifting	0.8	0.8	7.1	±50	380	8	QFN5.5x3.5-24L	SN74AX C8T245
*BCT74AX C2T245	2Bit Bidirectional Level-Shifting	0.8	0.8	7.1	±50	380	8	TSSOP8	SN74AX C2T245

\* Please Contact Our Sales Office For More Details

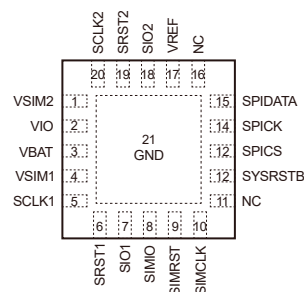


## Multiple SIM Card Controller

PART No.	Description	V <sub>IN</sub> (V)	Operating Current (uA)	V <sub>IO</sub> Operating Voltage (V)	SIM Card Supplies (V)	Output Current Limit (mA)	SCLK Frequency (MHz)	Package	Cross Reference
BCT4302B	Dual SIM Card Controller	2.7-5.5	30	1.65-5.5	1.8/3.0	38	5	QFN3x3-20L	MT6302

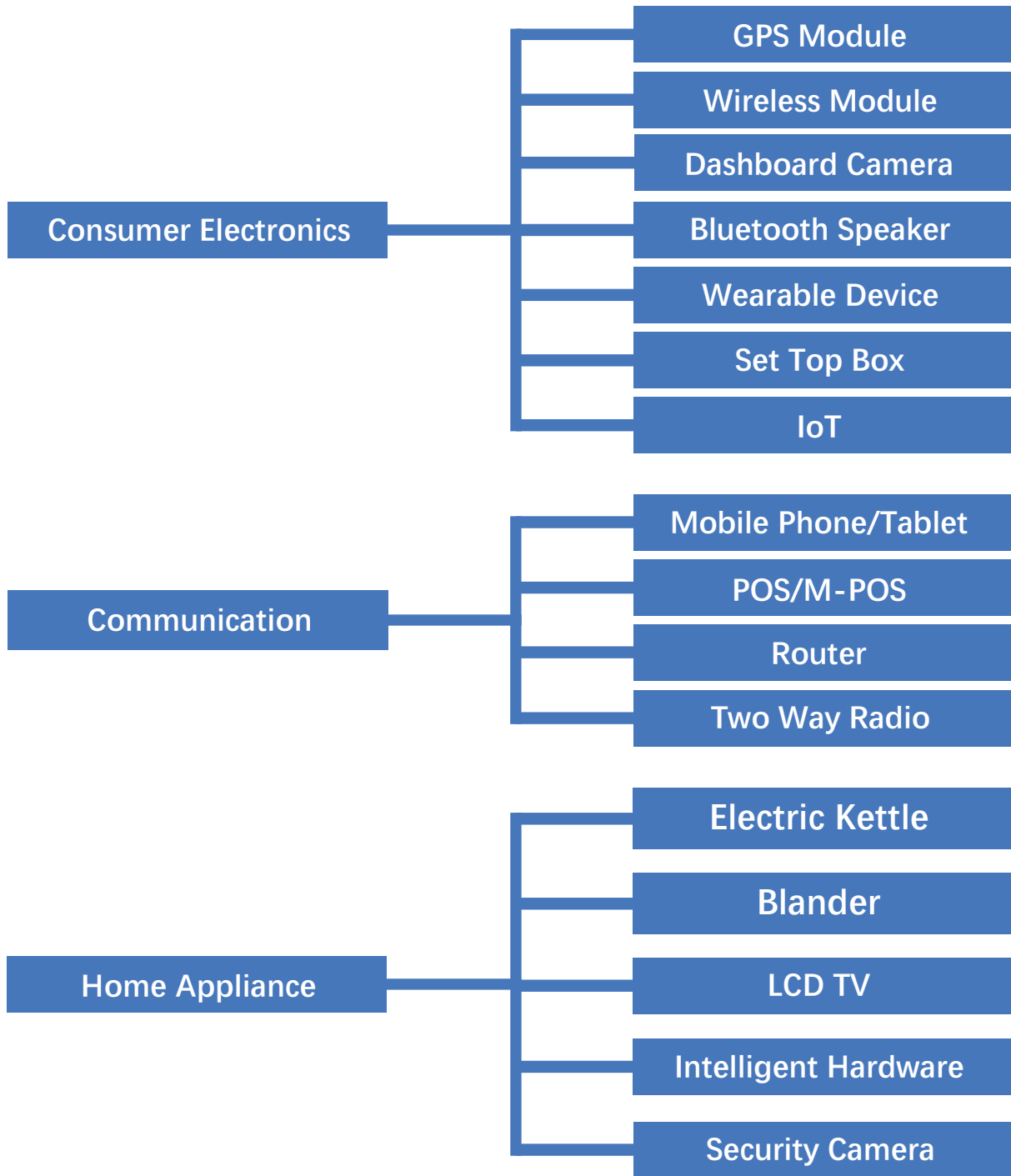
\* Please Contact Our Sales Office For More Details

### QFN3x3-20L

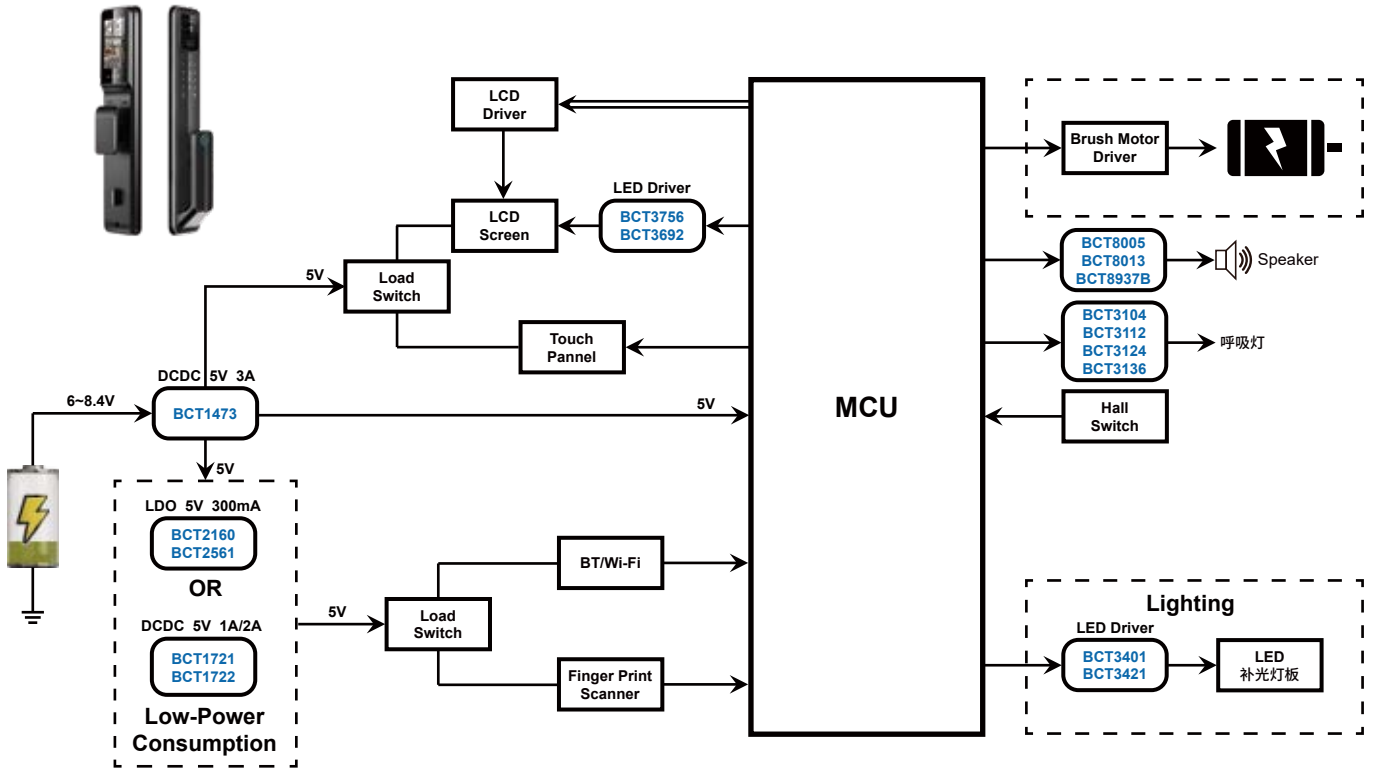


BCT4302B

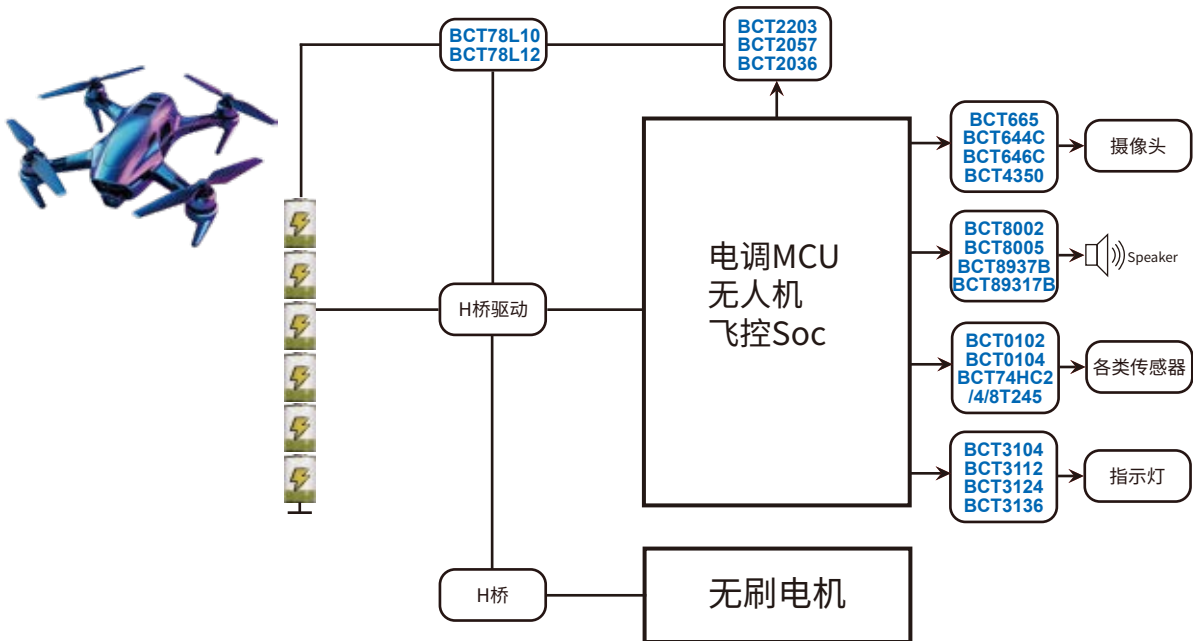
# Broadchip Total Solutions



## Smart Door Lock Solutions



## Drone Solutions



### BCT3756

8-Bit Bidirectional Level Shifting

### BCT2601D

3A Single-Cell Li-Ion Switching Charger

### BCT78L10

3uA IQ High Voltage Regulators

### BCT3640

8x16 Dots LED Driver

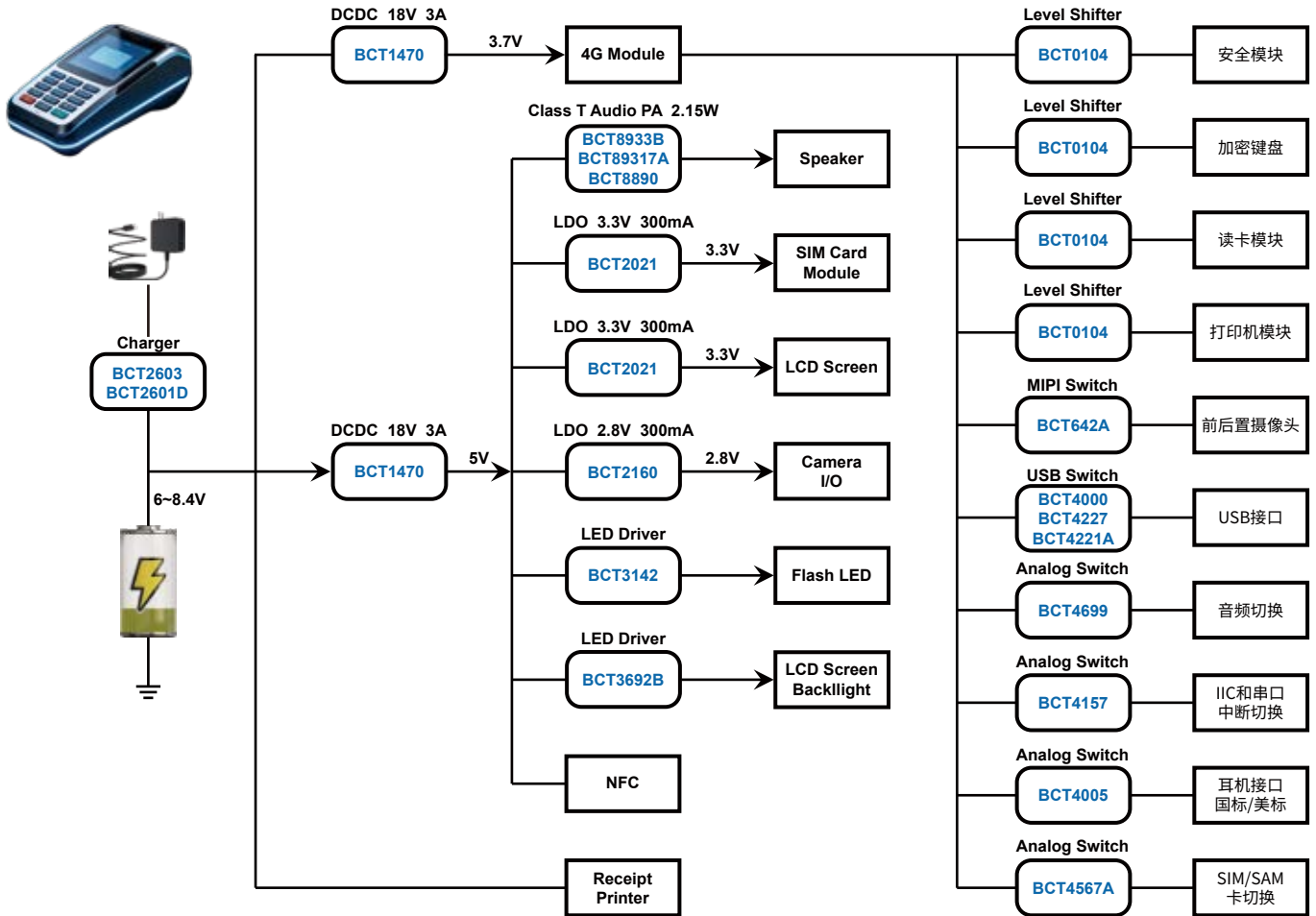
### BCT3112

Over-Voltage Protection Load Switch

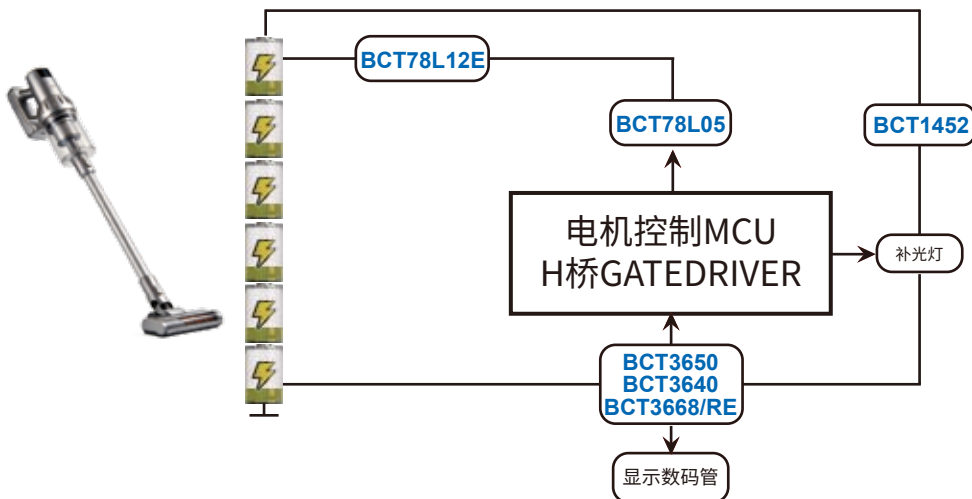
### BCT4350

USB 3.1 SuperSpeed 10 Gbps Switch

## Smart POS Solutions



## Handheld Vacuum Cleaner Solutions



**BCT4000**  
High-Speed DPDT Analog Switch With OVP

**BCT4005**  
Ultra Low ON-Resistance, Low Voltage,  
Dual, SPDT Analog Switch

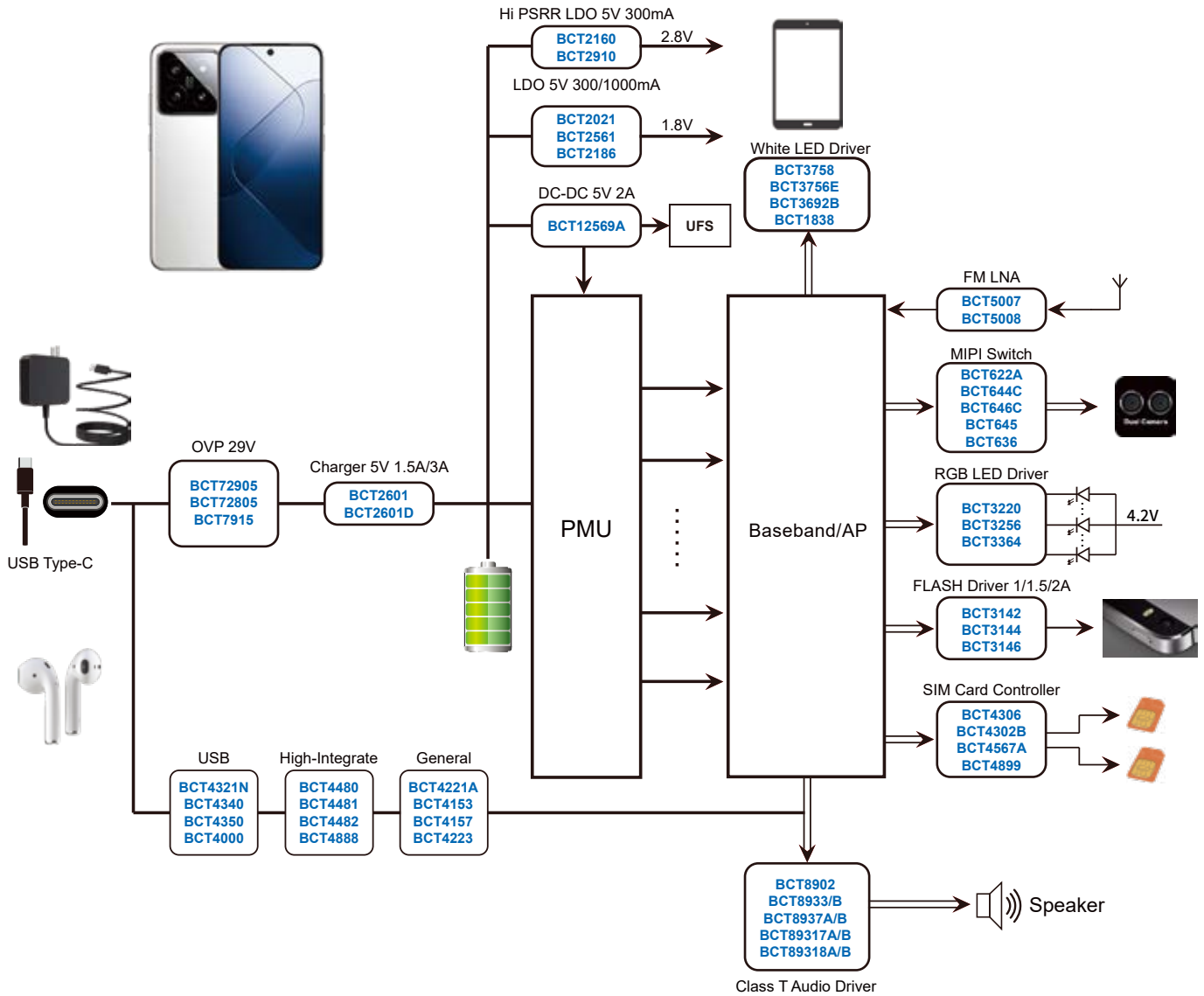
**BCT4567A**  
Low-Power, Dual SIM Card Analog Switch

**BCT4227**  
High-Speed DPDT Analog Switch

**BCT3650**  
LED Display Driver IC

**BCT78L12E**  
3uA IQ High Voltage Regulators

# Mobile Phone Solutions



## BCT3758

WLED Driver with PWM Brightness Control and Flash Mode

## BCT1838

Triple-output for smart phones and PADs

## BCT4480

USB Type-C Analog Switch with Protection Function

## BCT2021

300mA Low IQ Dropout Regulators

## BCT2186

1000mA Ultra Low Dropout Regulators

## BCT3756E/BCT3692B

PWM Control LED Driver 38V High Efficiency, Boost WLED Driver with PWM Control

## BCT2160/BCT2910

Ultra Low Noise and High PRSS LDO Regulators

## BCT644C

2:1 MIPI D-PHY (2.5Gbps) 4-Data Lane Switch

## BCT646C

2:1 MIPI D-PHY, C-PHY (4.5Gbps) 4-Data Lane Switch (0.35Pitch)

## BCT89318A/B

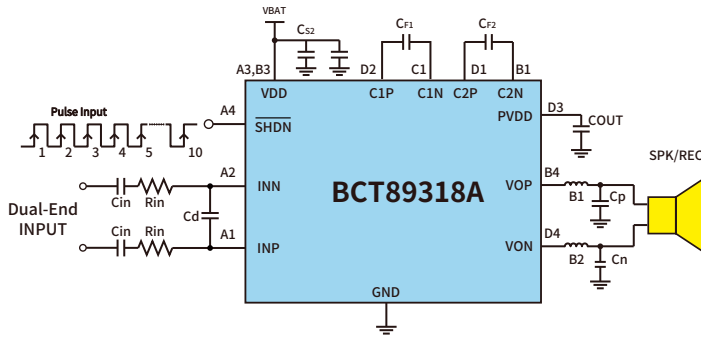
High Efficiency, Low Noise, Ultralow Distortion, Constant Large Volume Class T Audio Amplifier

## BCT8933B

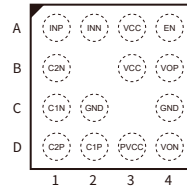
High Power, Low THD+N Class T Audio Amplifier



# Audio Amplifier



WCSP-14L



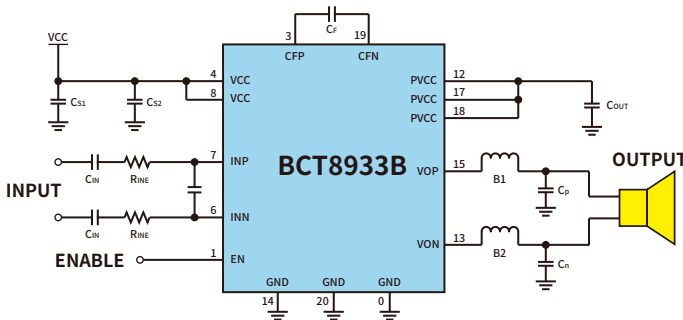
BCT89318A



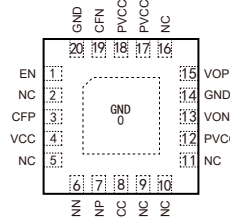
## BCT89318A-High efficiency, Low noise Class T Audio Amplifier

Features

- Class T Audio Amplifier
- Low noise: 43µV
- Selectable speaker-protection power level: 2.15W (Max Po-8Ω)
- ESD protection: ±6kV (HBM)
- Receiver: 3V/V, Vn=22µV, THD+N=0.01%
- Excellent pop-click suppression
- One wire pulse control
- Small 0.4mm pitch 1.58mm×1.63mm, WCSP-14L package



QFN3X3-20L



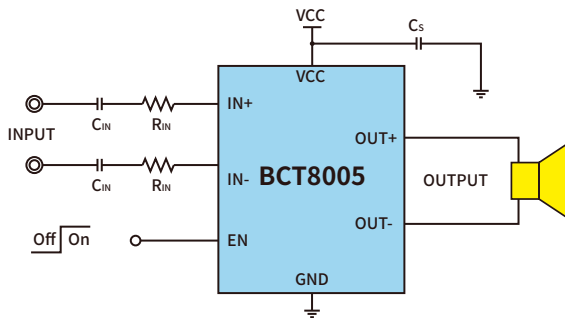
BCT8933B



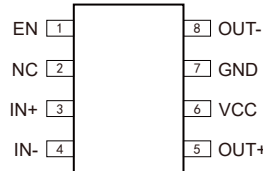
## BCT8933B-High Power, Low THD+N Class T Audio Amplifier

Features

- Digital Power Modulation audio algorithm
- 2.0W into 8Ω at 4.2V(10% THD+N)
- Ultra-Low THD+N: 0.03%
- 4 Mode selected by one-wire pulse
- High PSRR:-70dB
- Short Circuit and Thermal Protection
- ±8KV HBM ESD
- Small 3mm×3mm 20-Pin QFN Package



SOP8



BCT8005

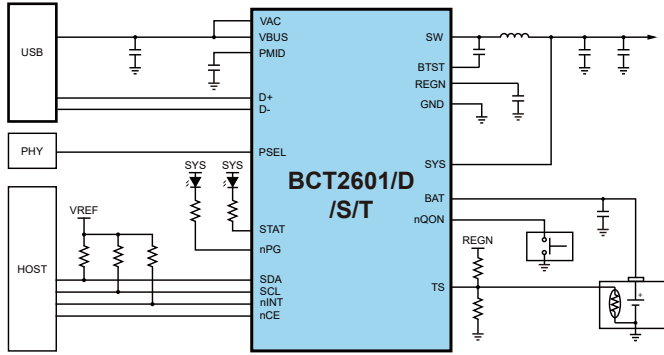


## BCT8005-2.8W Mono Filter-less Class-D Audio Amplifier

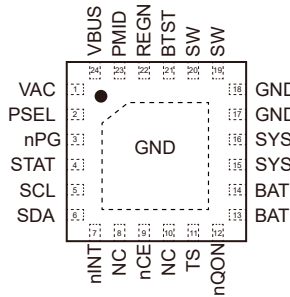
Features

- Supply voltage range: 2.8V to 5.5V
- Support single-ended or differential analog input
- Low Quiescent Current
- Low Output Noise
- Low shut-down current
- Short power-on transient time
- Short-circuit protection
- Over-temperature protection
- Internal pull-low resistor on shut-down pins
- 1.67W/ch into 8Ω loudspeaker
- >3W/ch into 4Ω loudspeaker
- Loudspeaker power within 10% THD+N
- Loudspeaker efficiency 93% @ 8Ω, THD+N=10%, 85% @ 4Ω, THD+N=10%
- Integrated Feedback Resistor of 300kΩ

# Charger

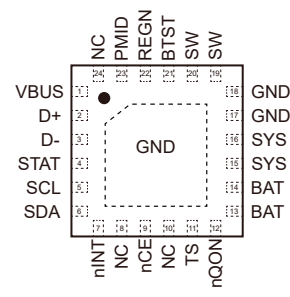


QFN4x4-24L



BCT2601

QFN4x4-24L

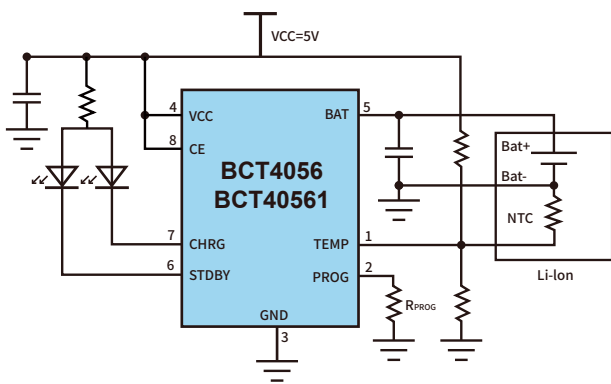


BCT2601D/S/T

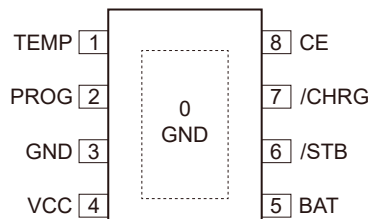
## BCT2601/D/S/T - 3A Single-cell Li-Ion Switching Charger with USB-OTG Boost

### Features

- Auto Detect USB BC1.2,SDP,CDP,DCP and Non-Standard Adaptors
- High Efficiency 1.5MHz Synchronous Buck Charger
- 20V Absolute Maximum Input Voltage Rating
- Boost Converter with up to 1.2A Output
- 3.9V to 13.5V Operating Input Voltage Range
- 91% Charge Efficiency at 2A from 5V Input
- Output Short Circuit Protection



ESOP8



BCT4056/BCT40561

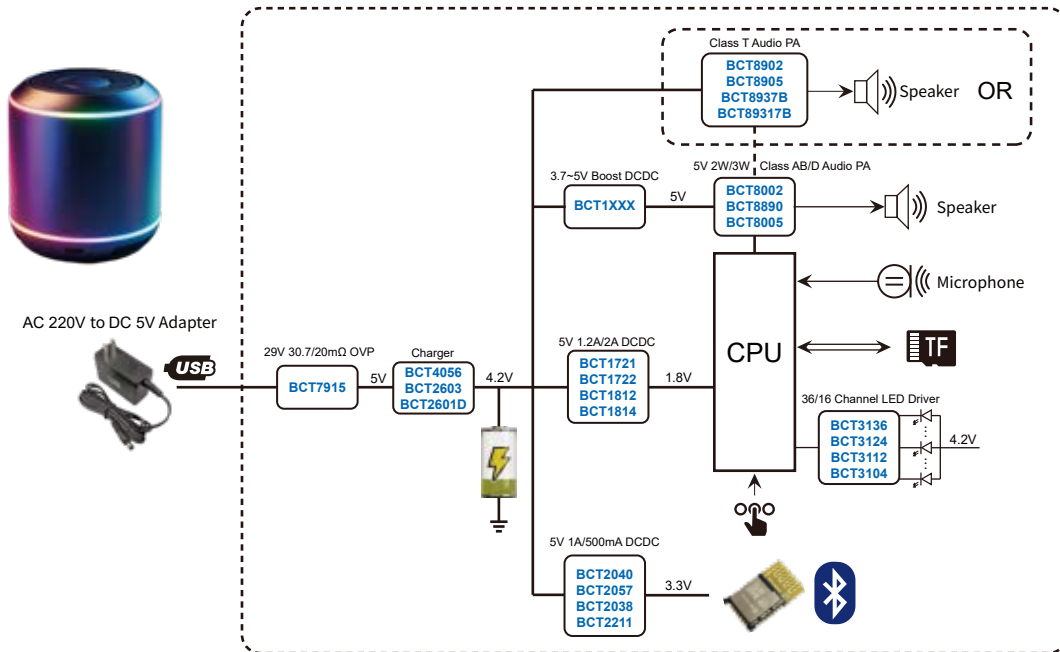


## BCT4056/40561 - 1.0A Single-Cell Li-Ion Linear

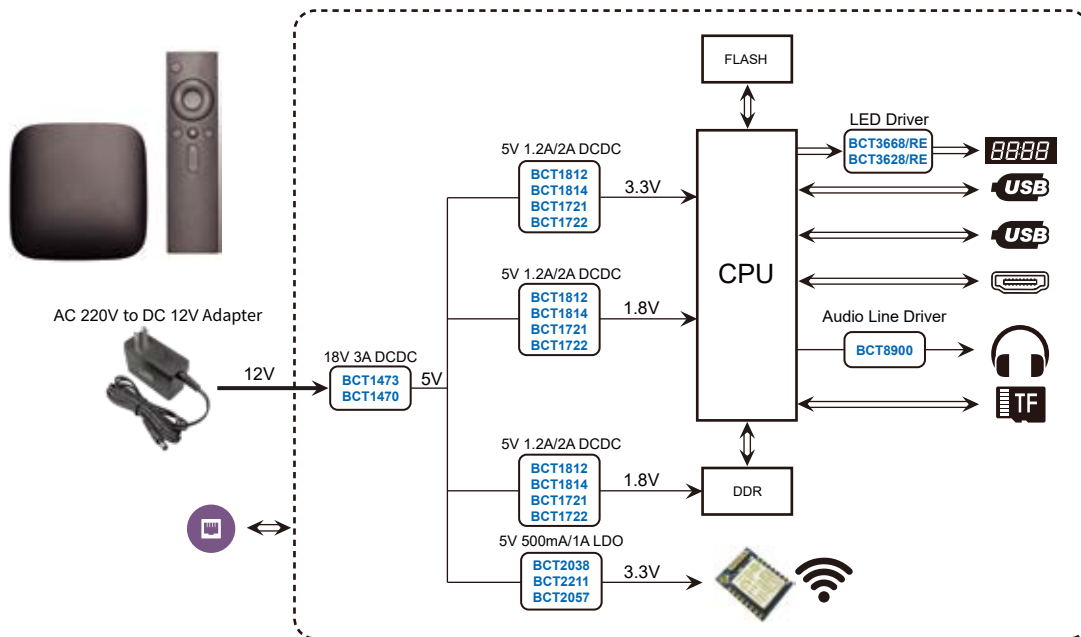
### Features

- Integrated Power FETs for Up To 1.0A Charge Current
- Charge Termination Voltage: 4.2V(Typ.), 4.35V(Typ.)
- Standby Current: 55uA(Typ.)
- C/10 Charge Termination
- 6.5V Maximum Operating Input Voltage
- Programmable Charge Current
- Trickle Charge Voltage: 2.9V(Typ.)/28V

## Bluetooth Music Box Block Diagram



## Set Top Box Block Diagram



### BCT1470

18V 2A Buck Converter

### BCT1814

5V 2000mA 1MHz Synchronous Step-Down Converter

### BCT2038

5V 500mA Low Dropout Linear Regulators

### BCT2057

5V 1000mA Low Dropout Linear Regulators

### BCT3668/RE

70 Channels LED Driver With Slope Lighting Mode

### BCT3124

24-Channel 256 Steps Constant-Current LED Driver

### BCT8002/BCT8002H

Low-Cost, Mono 1.5W(RL=8Ω) Class AB Audio Power Amplifier

### BCT8005

Low-Cost, Mono 1.67W(RL=8Ω) Class D Audio Power Amplifier

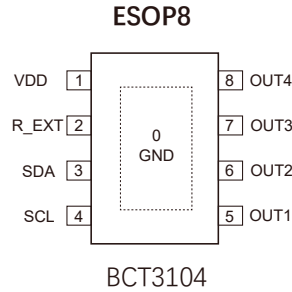
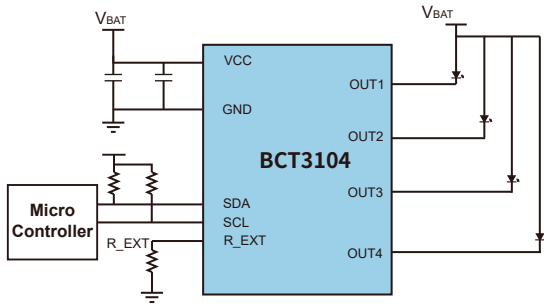
### BCT8937B/BCT89318A

High Efficiency, Low Noise Class T Audio Amplifier

### BCT7915

Over-Voltage Protection Load Switch

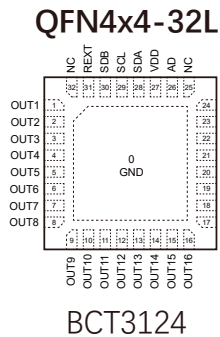
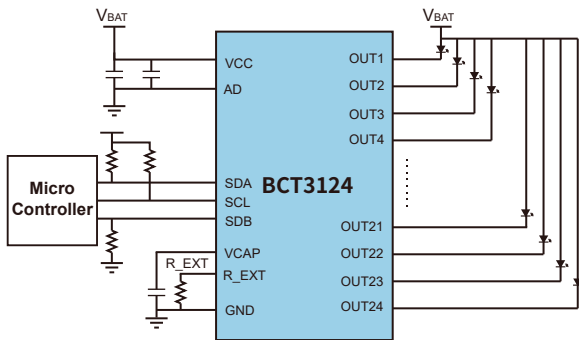
## RGB LED Driver



### BCT3104 - 4 CHANNELS LED Driver With Auto Slope Lighting Function

#### Features

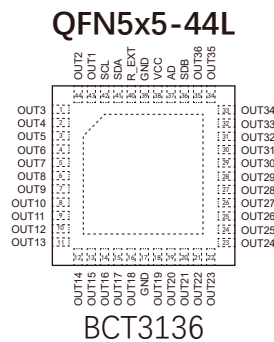
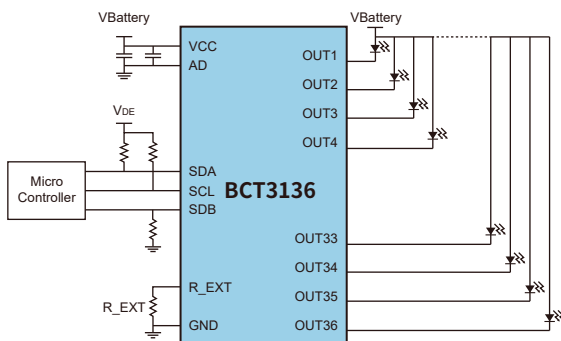
- 2.7V to 5.5V supply
- 8 bits PWM Duty, Internal reset register
- Modulate LED brightness with 256 levels
- Each channel can be controlled independently
- -40°C to +85°C temperature range
- ESOP8



### BCT3124 - 24 CHANNELS LED Driver with slope lighting function

#### Features

- 2.7V to 5.5V supply
- I2C interface, automatic address increment function
- Internal reset register
- Modulate LED brightness with 256 levels
- Each channel can be controlled independently
- -40°C to +85°C temperature range
- QFN4x4-32L (4mm × 4mm)



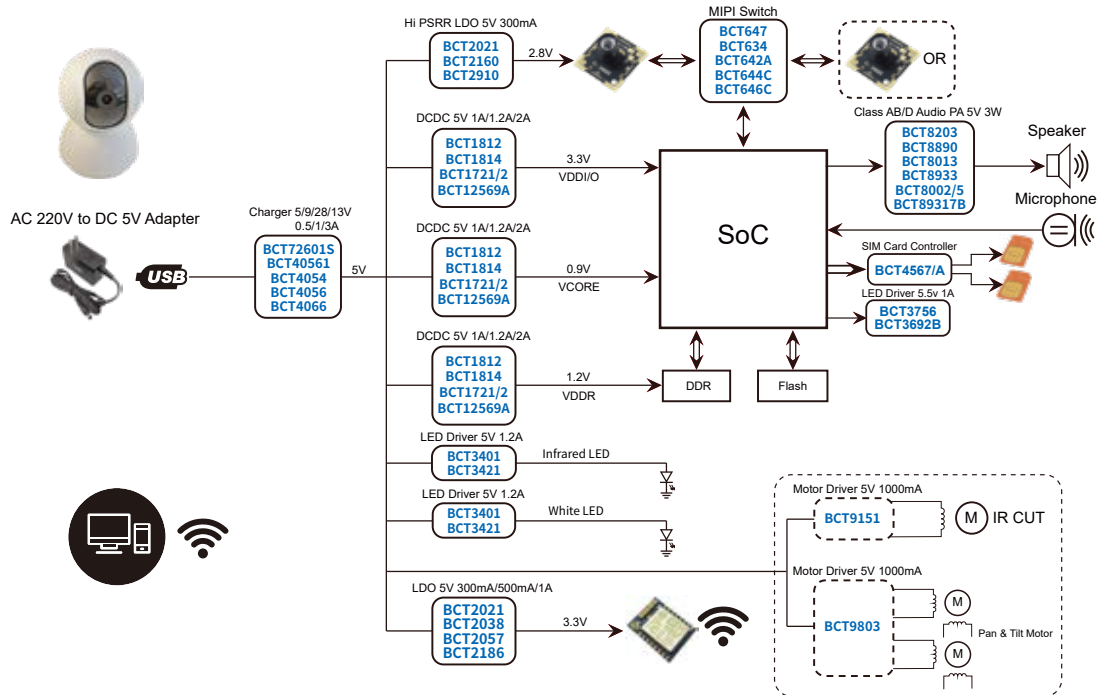
### BCT3136 - 36 CHANNELS LED Driver with slope lighting function

#### Features

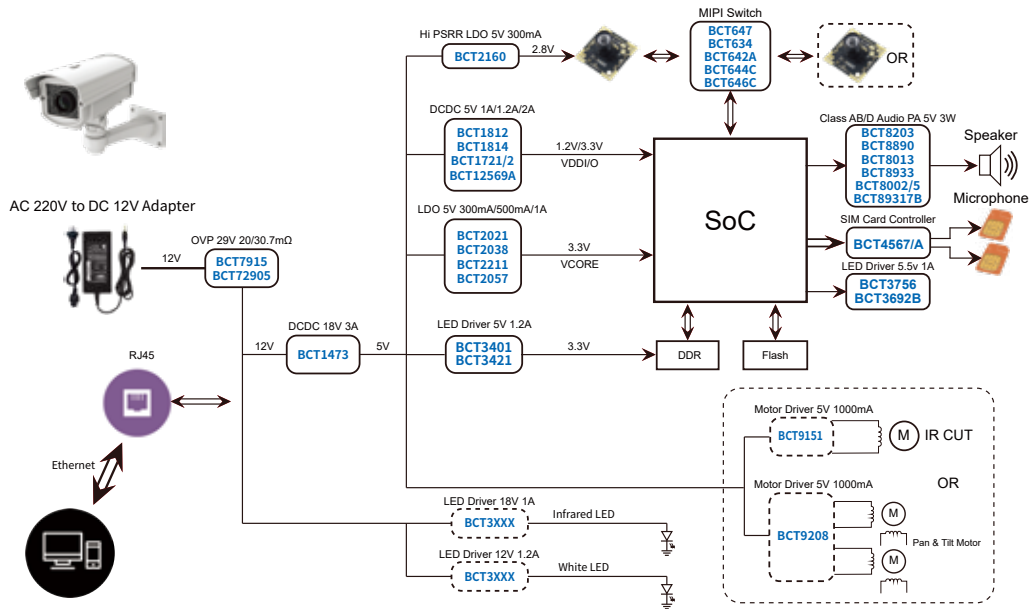
- 2.7V to 5.5V supply
- I2C interface, automatic address increment function
- Internal reset register
- Modulate LED brightness with 256 levels
- Each channel can be controlled independently
- 8 bits PWM Duty
- -40°C to +85°C temperature range
- QFN5x5-44L (5mm × 5mm)

# Security Camera Solution

## Smart WiFi Pan&Tilt Camera Block Diagram



## Network Camera Block Diagram



**BCT1473**  
3A 600KHz Synchronous Step-Down Converter

**BCT2021**  
5V 300mA Low Dropout RF-Linear Regulators

**BCT2038**  
5V 500mA Low Dropout Linear Regulators

**BCT2057**  
5V 1000mA Low Dropout Linear Regulators

**BCT3421**  
5V 1200mA DC-DC Converters-Backlight Driver

**BCT8002/BCT8002H**  
Low-Cost, Mono 1.5W(RL=8Ω) Class AB Audio Power Amplifier

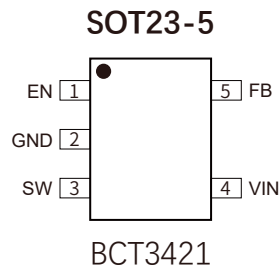
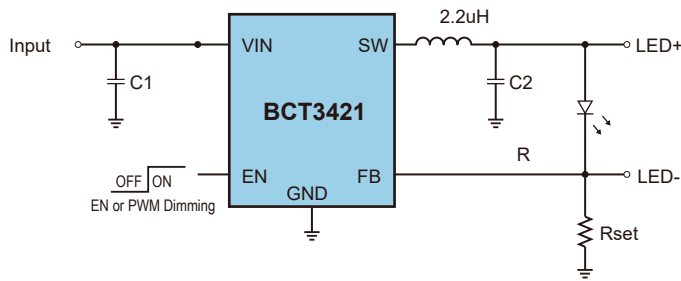
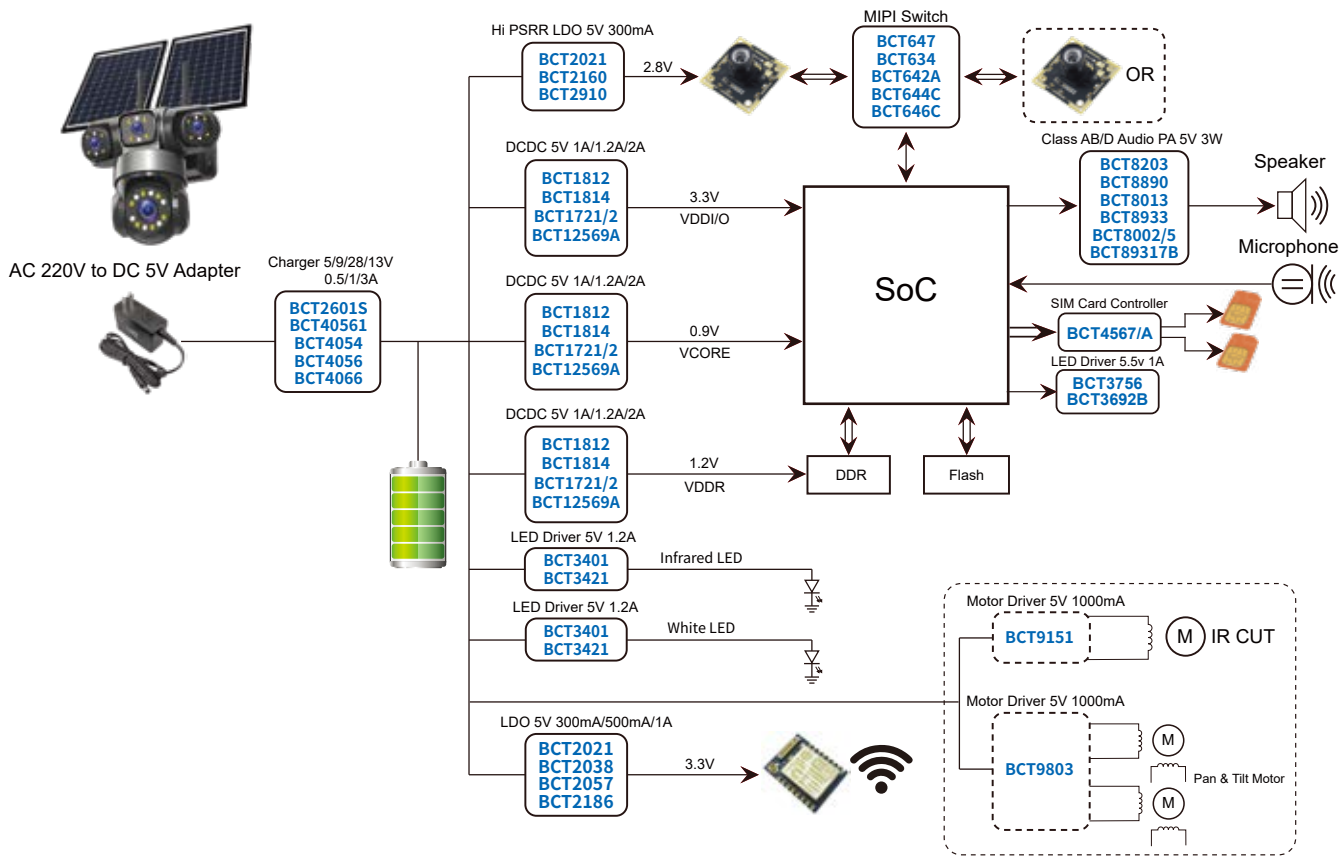
**BCT8005**  
Low-Cost, Mono 1.67W(RL=8Ω) Class D Audio Power Amplifier

**BCT8933/BCT8933B**  
High Efficiency, Low Noise Class T Audio Amplifier

**BCT8722**  
1MHz, 60uA, Rail to Rail I/O CMOS Operational Amplifier

**BCT7915**  
Over-Voltage Protection Load Switch

# Security Camera Solution

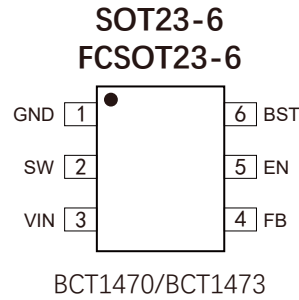
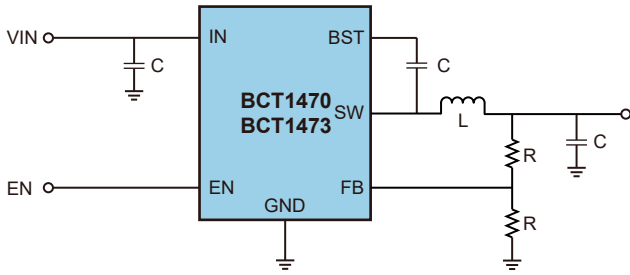


## BCT3421 - 1A, High Efficiency -LED Driver

### Features

- Up to 90% efficiency
- 1.35MHz Switching Frequency
- 0.1V FB Voltage
- True PWM Current Program
- Open LED Protection
- Short LED Protection
- Input UVLO and Over voltage 6.9 V Protection
- Thermal Protection
- Internal soft-start
- SOT23-5 Packages

## DC-DC/LED Driver/Charger

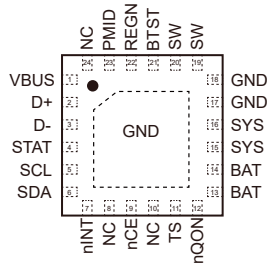


### BCT1473 - 18V 3A Peak, 600kHz Synchronous, Step-Down Converter With ACOT Mode

#### Features

- Wide 4.7V to 18V Operating Input Range
- 90mΩ/50mΩ Internal NFET Efficiency: up to 94%
- ACOT Control with Fast Transient Response
- Pulse-Skip Mode
- Short-circuit Protection
- FCSOT23-5 Packages
- 600kHz Switching Frequency
- Cycle-by-Cycle Current Limit
- Internal Soft Start 1ms
- Startup from Pre-Biased Output Voltage
- Thermal Shutdown

#### QFN4x4-24L



BCT2601S

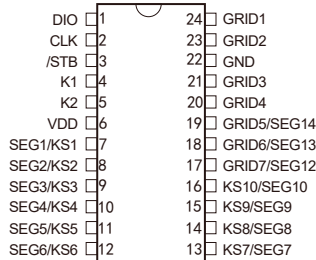


### BCT2601S - 3A 1-Cell Buck Battery Charger

#### Features

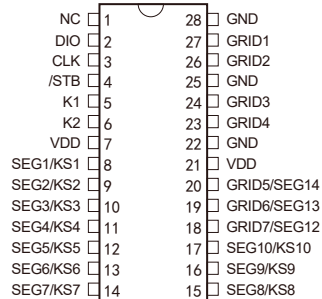
- 3.9V to 13.5V Operating Input Voltage Range
- Up to 24V Sustainable Voltage
- High Efficiency, 1.5MHz, Synchronous Buck Charger
- USB On-The-Go (OTG) Support (Boost Mode)
- 2.5μA Ship Mode Low Battery Leakage Current
- Auto Detect USB BC1.2, SDP, CDP, DCP and Non-Standard Adaptors
- High Battery Discharge Efficiency with 26mΩ Switch
- Ship Mode, Wake-Up and Full System Reset Capability by Battery FET Control

#### SOP24



BCT3668/RE

#### SOP28



BCT3628/RE

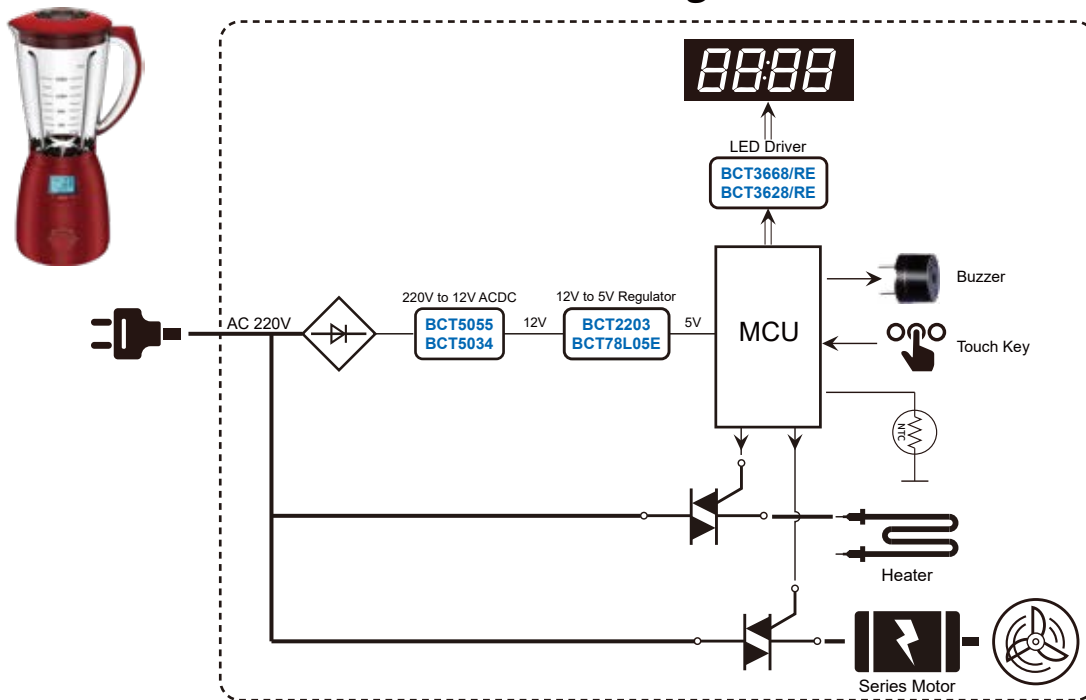


### BCT3668/RE/3628/RE - 70 Channels LED Driver With Slope Lighting Mode

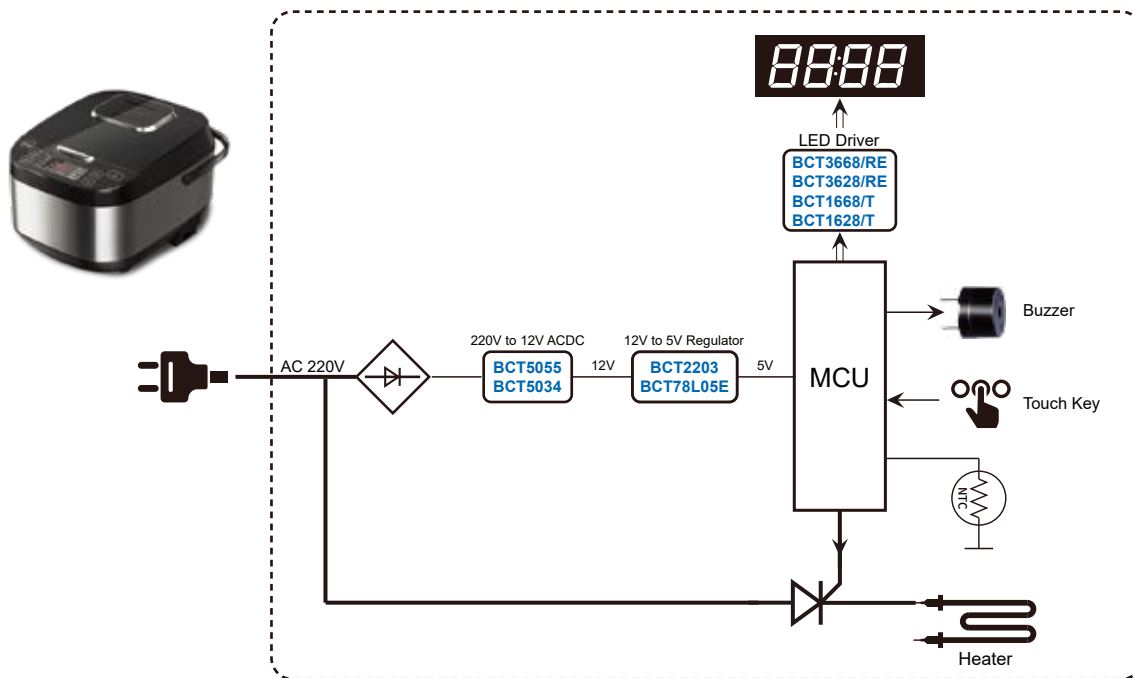
#### Features

- Wide operation Voltage: 3.0V to 5.5V
- Serial Interface
- 8-Step/256-Step Dimming Circuitry
- Built in OSC generator
- Pulse Segment Current: 50 mA type
- Key scanning: 10 × 2 matrix
- Operation Temperature: -40 to 85°C

## Blender Block Diagram



## Electric cooker Block Diagram



### BCT5034

AC 220V to DC 12V 200mA Non-isolation Converter

### BCT78L05E

5V 150mA High Voltage Regulator

### BCT2203

150mA High Voltage Regulator

### BCT8002/BCT8002H

Low-Cost, Mono 1.5W(RL=8Ω) Class AB Audio Power Amplifier

### BCT3668/RE

70 Channels LED Driver With Slope Lighting Mode

### BCT3628/RE

70 Channels LED Driver With Slope Lighting Mode

### BCT3124

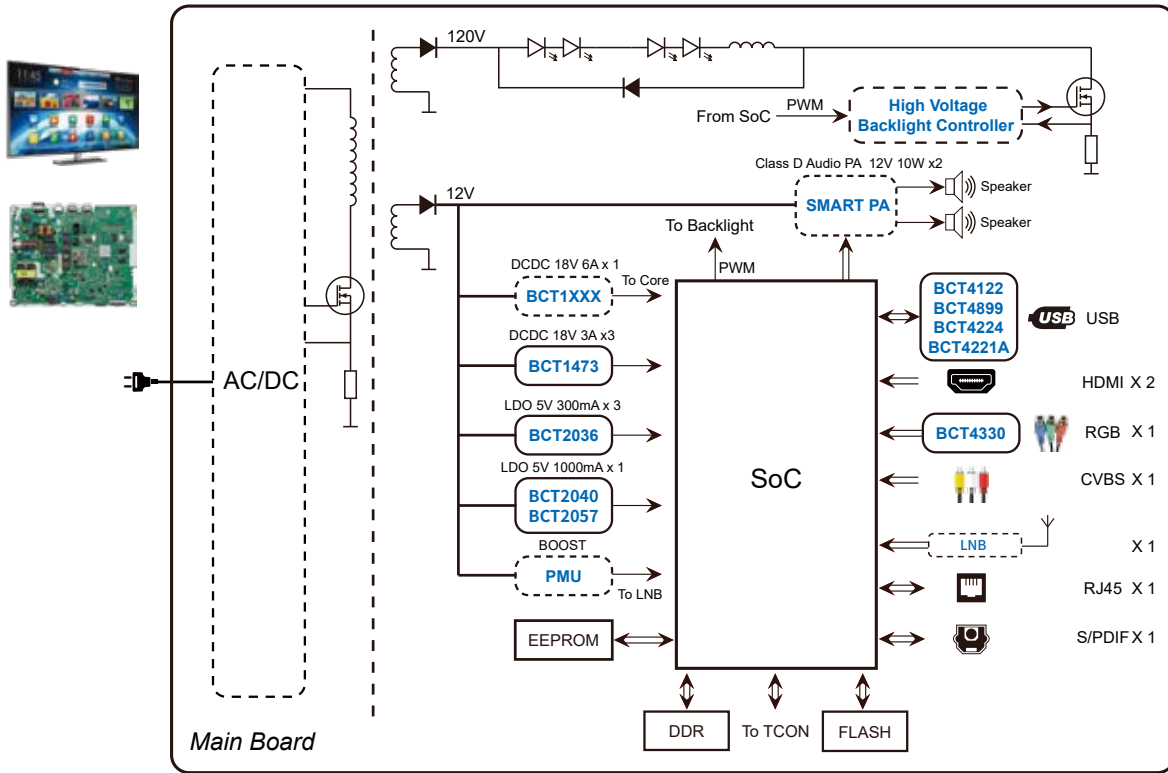
24-Channel 256 Steps Constant-Current LED Driver

### BCT1668/T

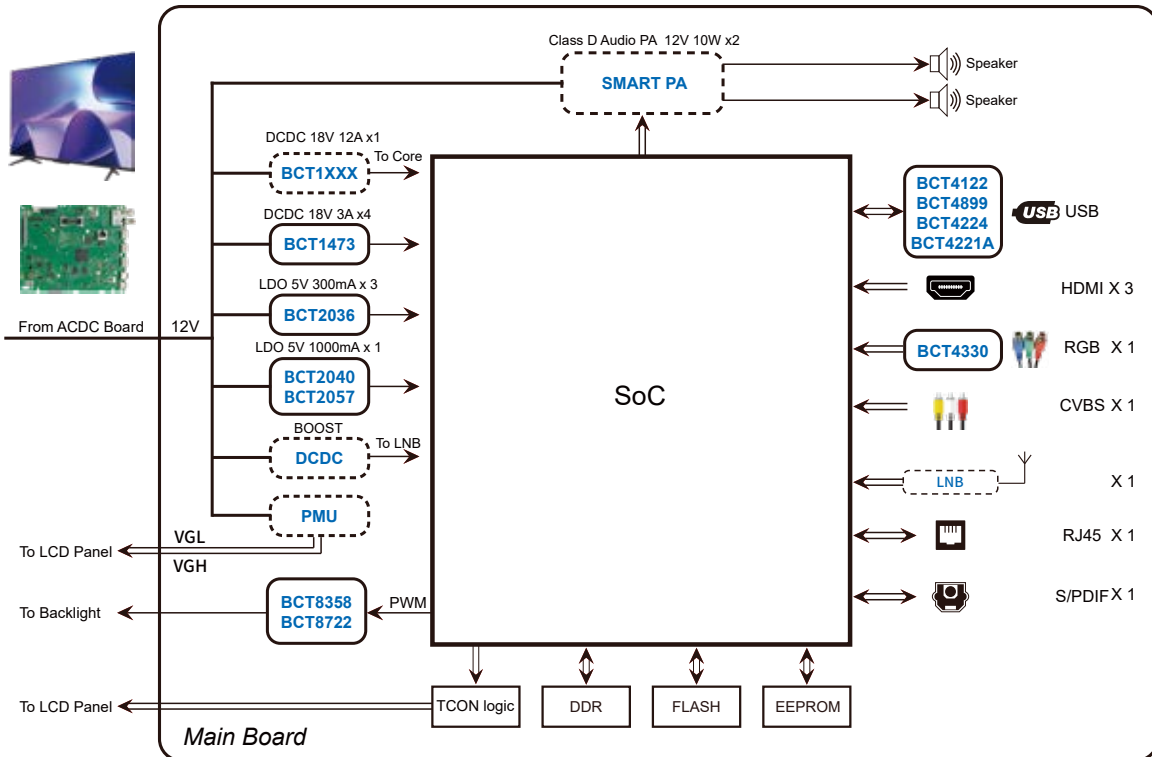
70 Dots LED Driver +20 keys

# LCD TV

## 43" Smart TV MainBoard (CPU+AC/DC+Backlight 3in1) Block Diagram



## 50" Smart TV MainBoard (CPU+TCON 2in1) Block Diagram



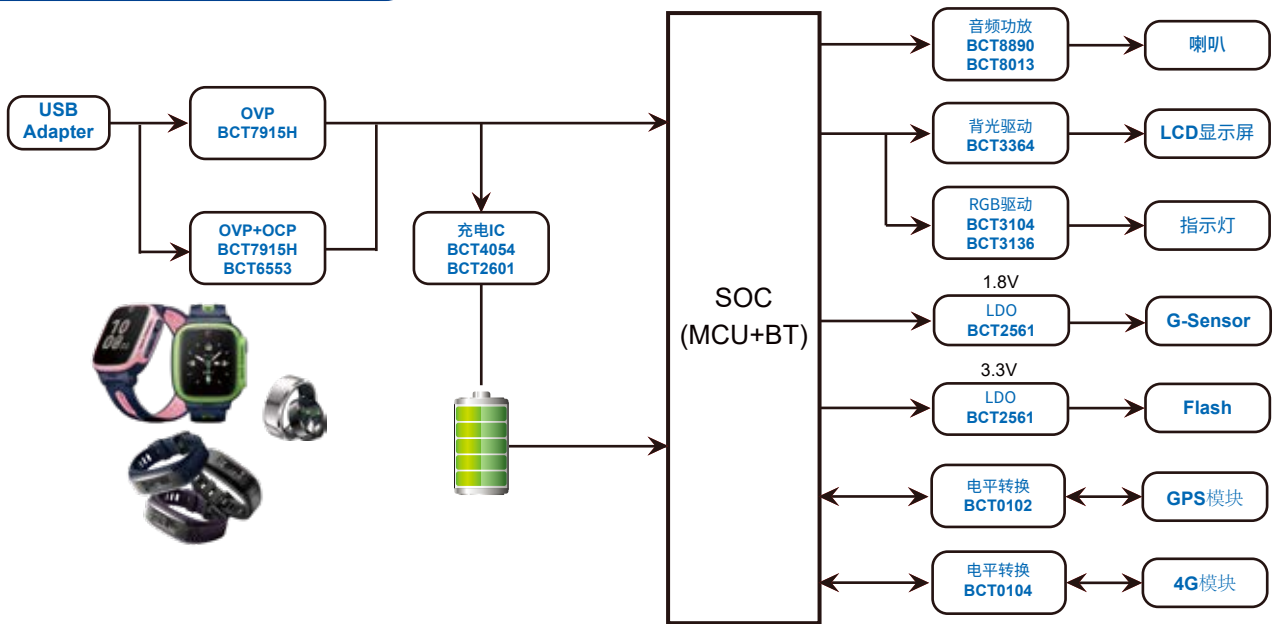
**BCT1473**  
18V 3A 600KHz Synchronous Buck Converter

**BCT8358**  
2 Channel RRIO 1MHz CMOS Amplifier

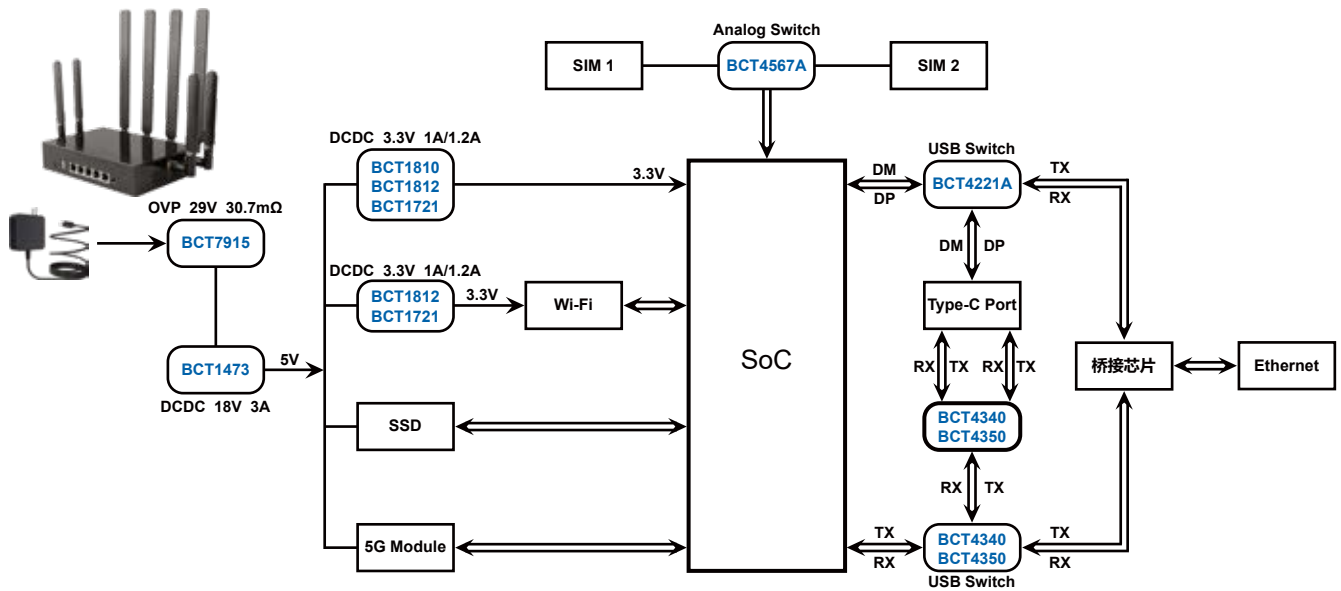
**BCT2036**  
300mA Low IQ Low Dropout Regulators

**BCT2040**  
1000mA Low Dropout Regulators

## Wearable Devices



## CPE Block Diagram



### BCT7915

Over-Voltage Protection Load Switch

### BCT6553

Power Distribution Switch

### BCT4054

0.7A Li-Ion Linear Charger management

### BCT2601

3A Single-Cell Li-Ion Switching Charger with  
USB-OTG Boost Regulator

### BCT1810/BCT1812

5V 1A Buck Converter

### BCT8013

Low-Cost, Mono 2.8W Audio Power Amplifier

### BCT3364

4 Channel 16 Steps LED Driver

### BCT3104

24-Channel 256 steps Constant-Current LED Driver

### BCT3136

36-Channel 256 steps Constant-Current LED Driver

### BCT2561

2uA IQ, Low Dropout Linear Regulators

Volume Class T Audio Amplifier

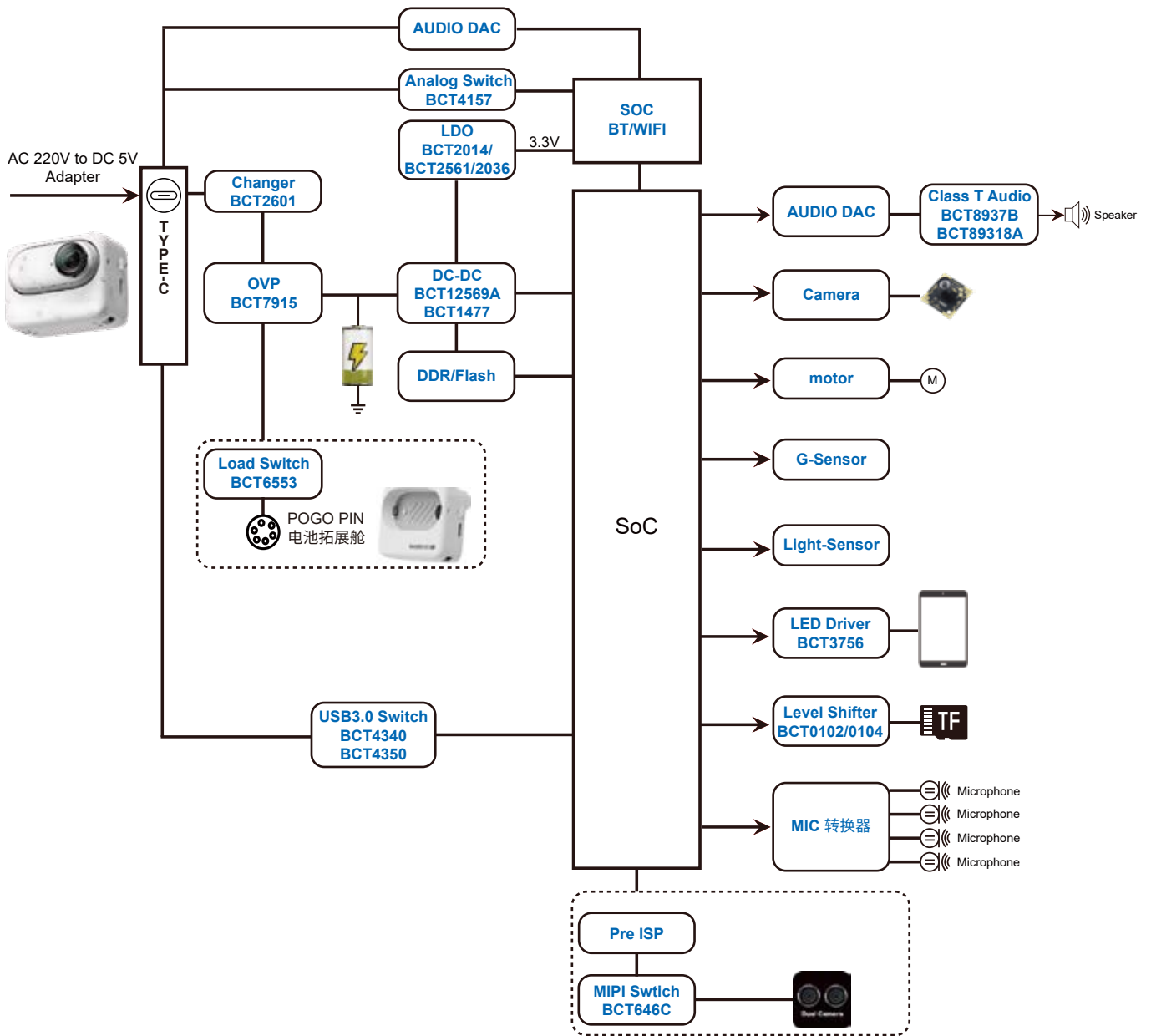
### BCT0102

2-Bit Bidirectional Level-Shifting

### BCT0104

4-Bit Bidirectional Level-Shifting

# Sports Camera



## BCT4157

Low-Voltage, 300MHz Analog Switch  
Driver with PWM Control

## BCT2014

0.7uA IQ Low Dropout Regulators

## BCT2036

300mA Low IQ Dropout Regulators

## BCT2561

2uA IQ Low Dropout Regulators

## BCT12569A

5V 2A Buck Converter

## BCT4340/BCT4350

USB3.1 Super Speed 10 Gbps Switch

## BCT1477

18V 3A Buck Converter

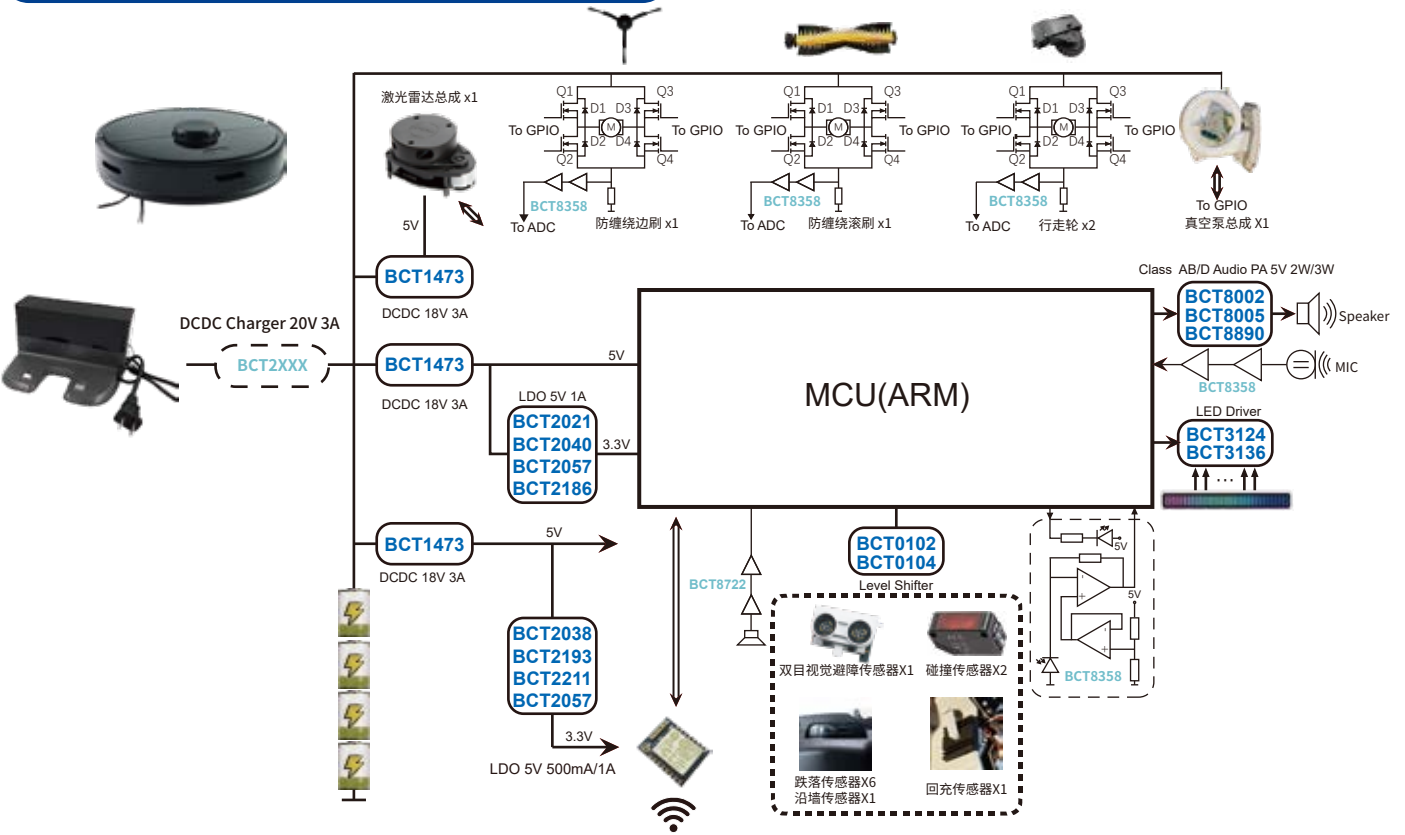
## BCT646C

2:1 MIPI D-PHY, C-PHY (4.5Gbps) 4-Data Lane Switch (0.35Pitch)

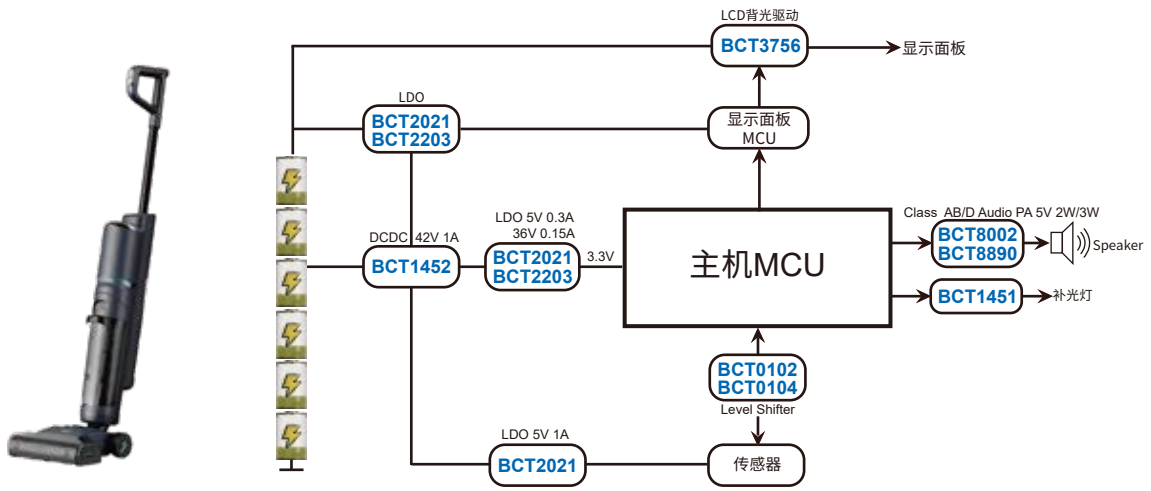
## BCT89318A/BCT8937B

High efficiency, Low noise Class T Audio Amplifier

# Sweeping Robot Block Diagram



# Floor Washer Block Diagram



## BCT8890

Low-Cost, Mono 2.2W Audio Power Amplifier

## BCT1452

42V 1A Buck Converter

## BCT3756

WLED Driver with PWM Brightness Control in Small Package

## BCT3136

36ch 256x256 steps CC LED Driver

## BCT2193

500mA Low IQ Low Dropout Regulators

## BCT2211

500mA Low IQ Low Dropout Regulators

## BCT2186

1000mA Ultra Low Dropout Regulators

## CONTACT US 联系我们

### Shanghai

上海总部

AD: 17th Floor, Block H, WESTLINK, No.2337 Gudai Road, Minhang District, Shanghai, China

上海市闵行区顾戴路2337号维璟中心H幢17层

P.C.: 201199

Tel: 021 - 64472383 64472385

MB: 13391139563

### Shenzhen

深圳

AD: Room 1101, Floor 11, Dingxin Building East Block, No. 6008, Xili Liuxian Avenue, Nanshan District, Shenzhen, China

深圳市南山区西丽留仙大道6008号鼎新大厦东座11层1101室

P.C.: 518055

Tel: 13386121579

### Hangzhou

杭州

AD: Room 1801~1807, Floor 18, Huaye Building, No. 511, Jianye Road, Binjiang District, Hangzhou, China

杭州市滨江区建业路511号华业大厦18层1801-1807室

P.C.: 310052

Tel: 13956026978

### Hong Kong

香港

AD: 19H Maxground Plaza, No.3 Tai Yau Street, San Po Kong, Kowloon, Hong Kong, China

Tel: +852 - 25832396

Fax: +852 - 30119876



[www.broadchip.com](http://www.broadchip.com)